

BRIDGEVIEW MANUFACTURING BALE KING PTO SHAFT REPLACEMENT PARTS LIST

STEP 1: Determine if the entire PTO shaft needs replacement or if you need specific parts for repair. For complete replacement, order part:

BMI # 20546 (Complete PTO Assembly)

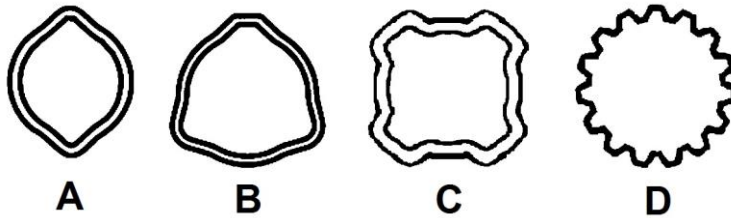
For the extension shaft on 20 series machines order:

BMI # 10213 (PTO Extension Shaft)

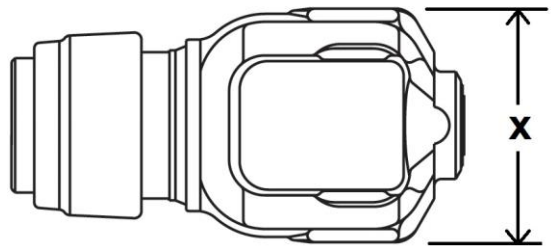
If repair parts are required, move on to the next step.

STEP 2: Determine which PTO shaft is currently installed on your machine.

Look at the cross-section of the shaft, and measure the width of the tractor-end yoke (x) to determine which PTO is currently installed.

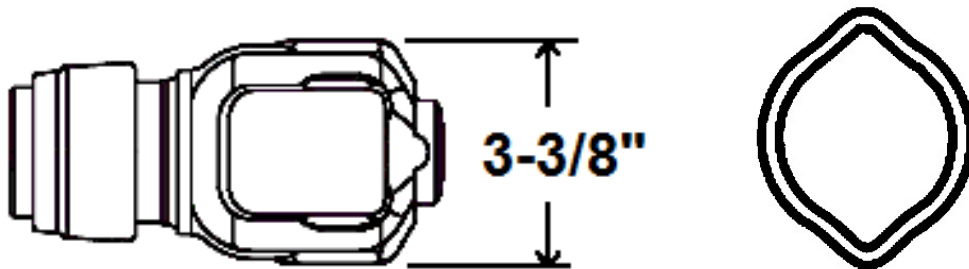
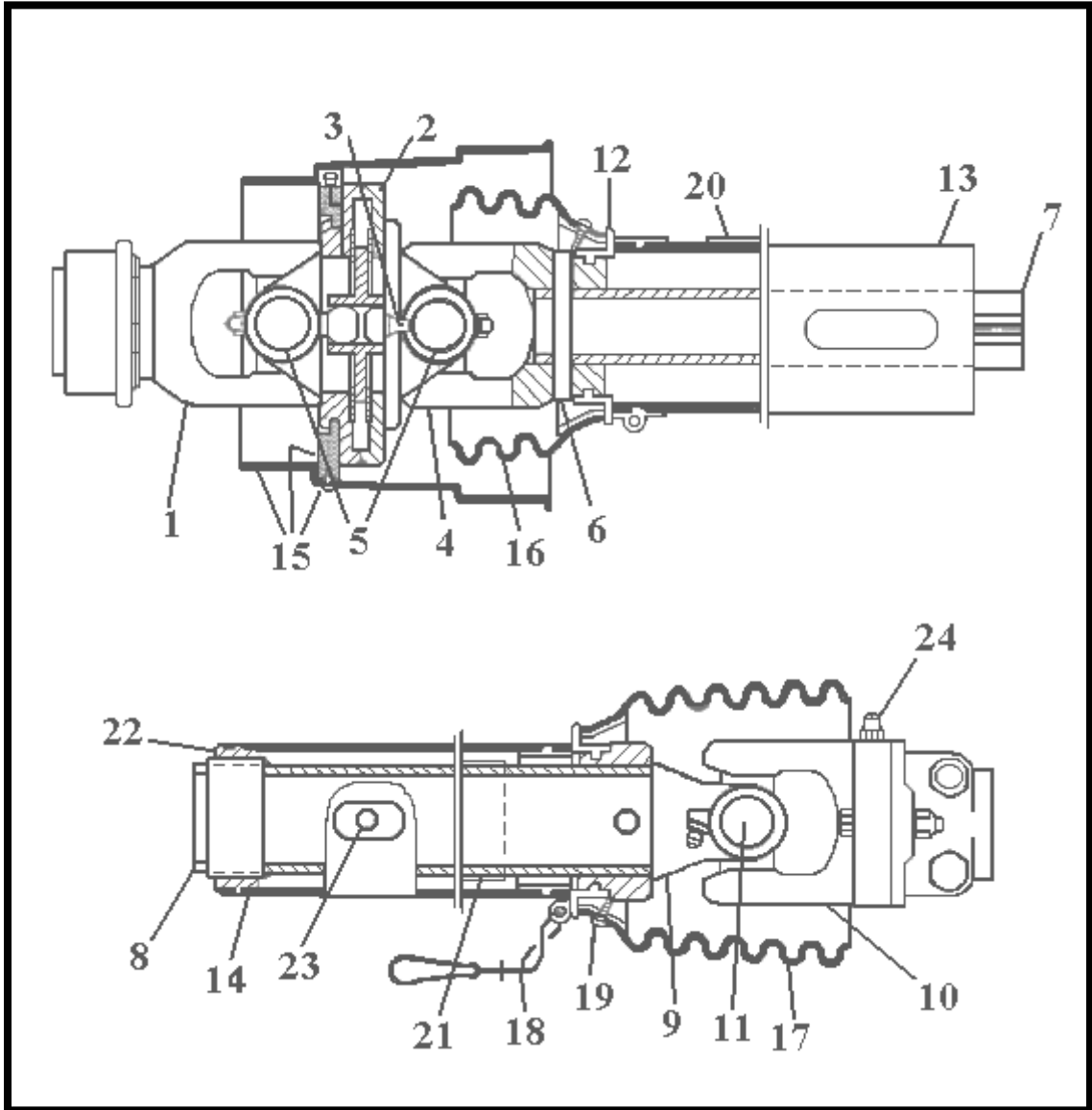


	Cross-Section	Yoke Width (x)
Walterscheid	A	3-3/8"
Bondioli (Style 1)	B	4-1/4"
Bondioli (Style 2)	C	3-7/8"
Weasler (Style 1)	D	3-5/8"
Weasler (Style 2)	D	4-5/8"



STEP 3: Find the parts list for your particular PTO shaft. Use the reference charts to determine which part numbers are required.

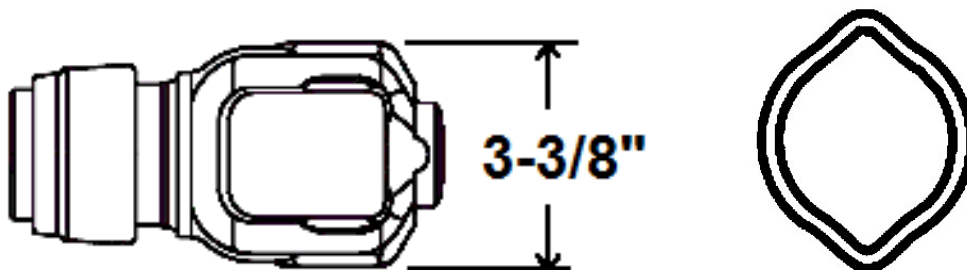
WALTERSCHEID



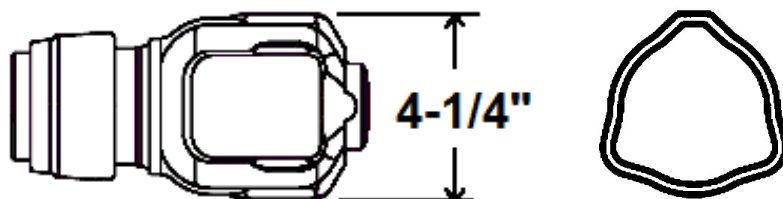
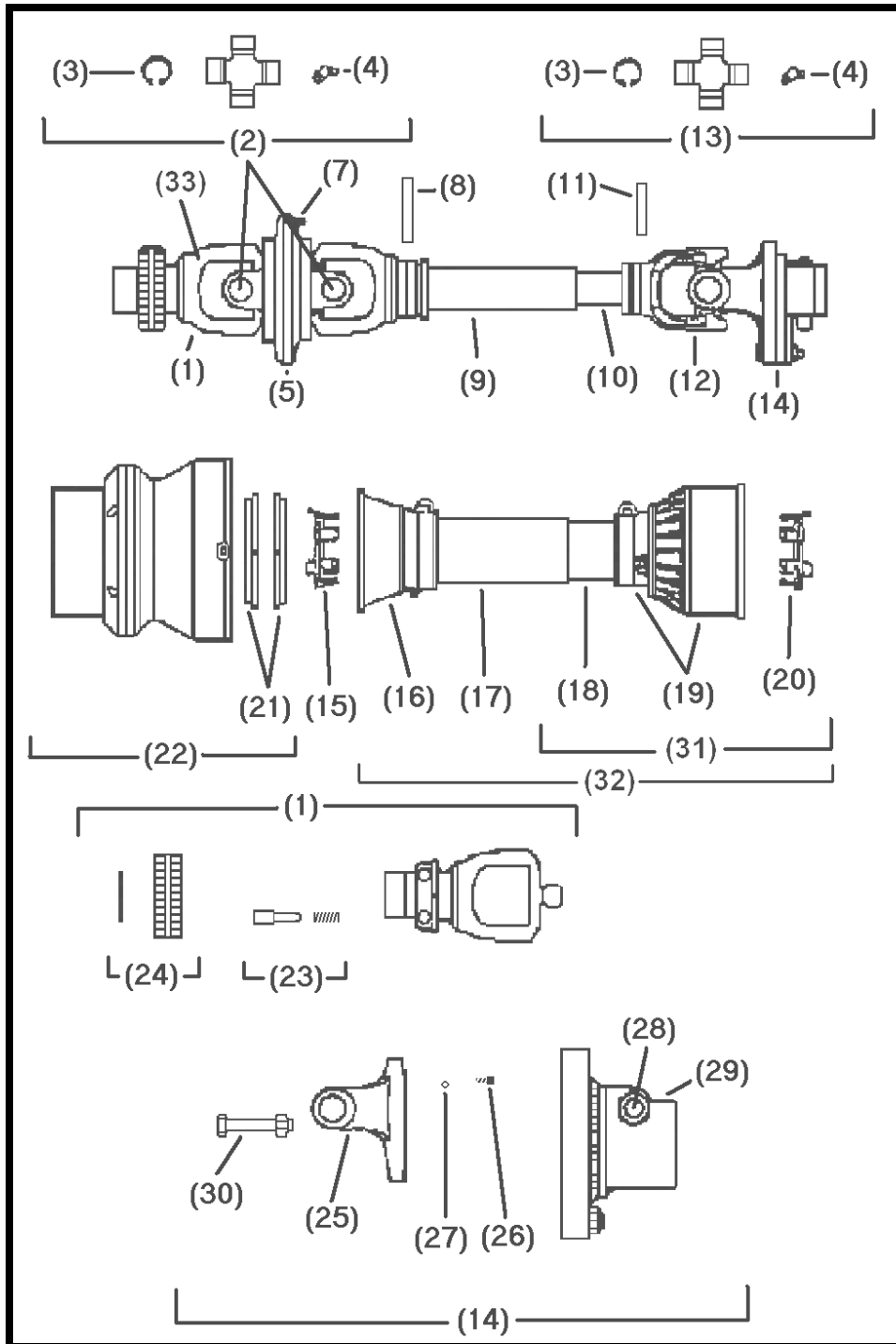
WALTERSCHEID

PARTS LIST

<u>Ref#</u>	<u>BMI#</u>	<u>Description</u>	<u>Qty.</u>
1	10088	Yoke 1 3/8"- 21 Spline	1
2	10090	Double Yoke	1
3	N/A	Grease Zerk (Included with item 2)	1
4	10091	Inboard Yoke 1b	1
5	10092	Cross and Bearing Kit	2
6	10093	Spring Pin	2
7	10095	Inner Profile 1bGA	1
8	10096	Profile and Sleeve W.A.	1
9	10097	Inboard Yoke 2a	1
10	10591	Shear Bolt Clutch	1
11	10094	Cross and Bearing Kit	1
12	10099	Bearing Ring SC25 Shield	2
13	10100	Outer Shield Tube, Oval Shield	1
14	10101	Inner Shield Tube, Oval Shield	1
15	10102	CV Cone and Bearing Assembly Shield	1
16	10103	Shield Cone 3 Rib	1
17	10104	Shield Cone 6 Rib	1
18	10105	Safety Chain	1
19	10108	Screw (Included with items 15, 16 ,17)	8
20	10106	Decal Outer (Included with item 13)	1
21	10107	Decal Inner (Included with item 8)	1
22	10109	Support Bearing	1
23	10110	Grease Zerk (Included with item 8)	1
24	10592	10mm Grease Zerk	10
Not Shown	10113	ASG. Col. Kit (Included with item 1)	1
Not Shown	10470	10mm x 60mm Shear Bolt	1
Not Shown	10471	10mm Locknut	1



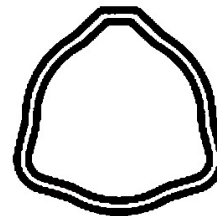
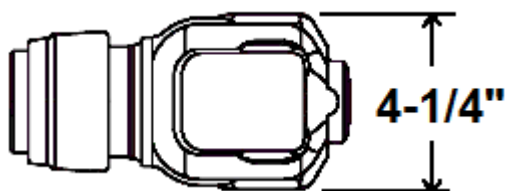
BONDIOLI STYLE 1



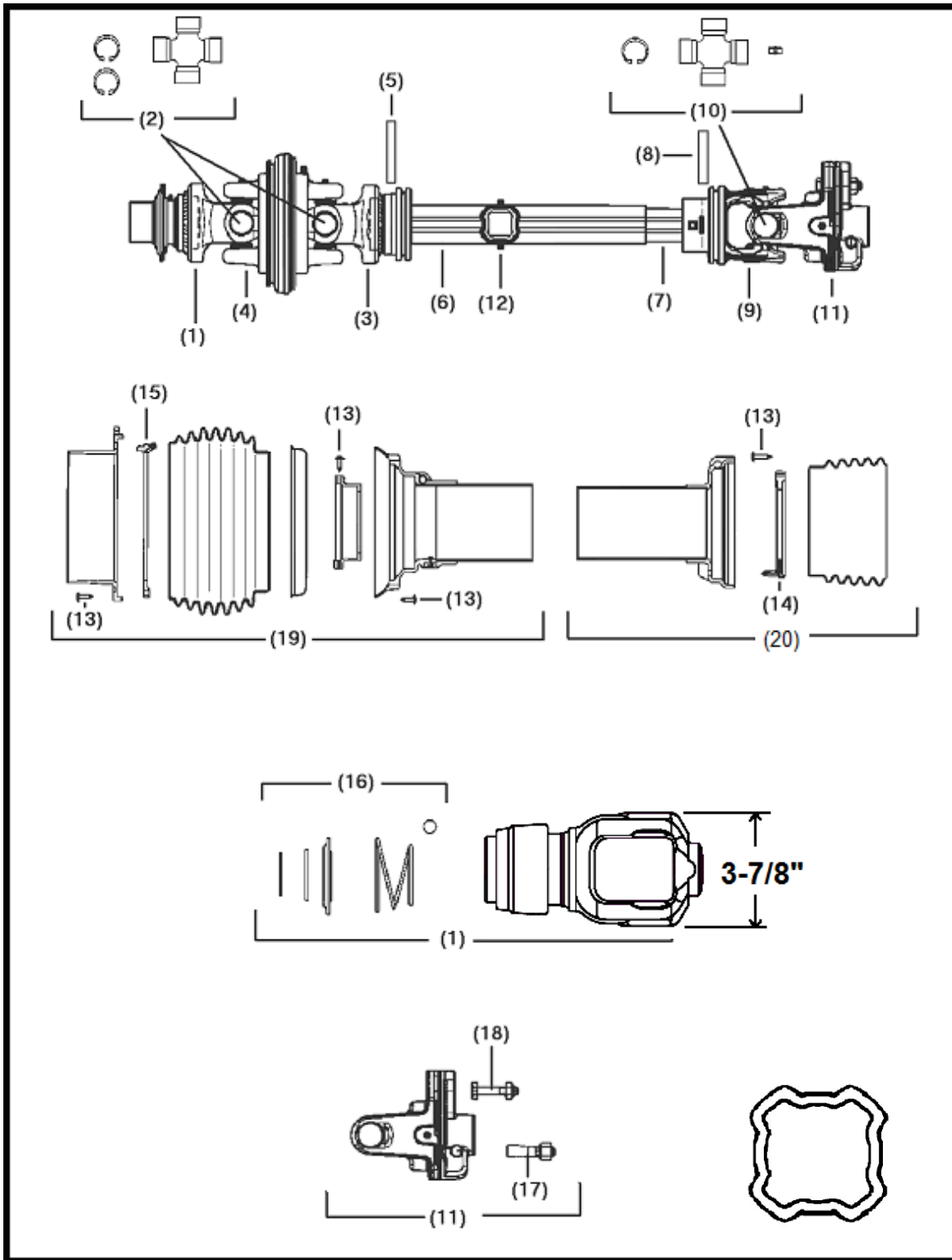
BONDIOLI STYLE 1

PARTS LIST

<u>Ref#</u>	<u>BMI#</u>	<u>Description</u>	<u>Qty.</u>
1	10202	Yoke w/Bridge (Sliding Collar) 1 3/8"	1
2	10116	U-Joint Cross Kit	2
3	N/A	Circlip (Included with Cross Kit)	8
4	N/A	Grease Zerk (Included with Cross Kit)	2
5	10119	Central Body CV Joint	1
6	10120	Yoke	1
7	10121	Grease Zerk	1
8	10122	Roll Pin	1
9	10123	Cardan Tube	1
10	10124	Cardan Tube CM	1
11	10125	Roll Pin	1
12	10126	Inner Tube Yoke	1
13	10127	U-Joint Cross Kit	1
14	13703	Torque Limiter (Quick Pin Style)	1
15	10129	Shield Support 6-7	1
16	10130	Safety Cone	1
17	10131	CM Safety Tube	1
18	10132	SM Safety Tube	1
19	10133	I Cone Sets F5-6-7	1
20	10134	Shield Support 6-7	1
21	10135	Ring Nut Dowell	1
22	10136	Complete Shell	1
23	10137	Complete Push Bottom	1
24	10138	Hub	1
25	N/A	Yoke (Included w/item 13703)	1
26	10140	Grease Zerk	1
27	10141	Ball 5/16	1
28	N/A	Nut (sold with Item #29)	1
29	10406	Wedge Lock on machine Yoke	1
30	10407	Shear Bolt (Pkg. of 5)	1
31	10150	Half Shaft Shield (Impl. end)	1
32	10151	Safety Shield – Complete	1
33	10152	Yoke 1 3/4" 20-Spline	1



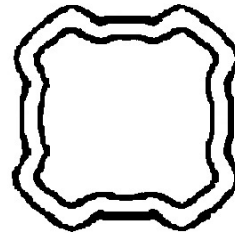
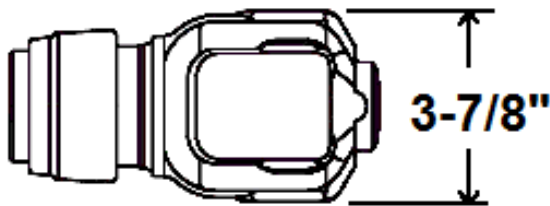
BONDIOLI STYLE 2



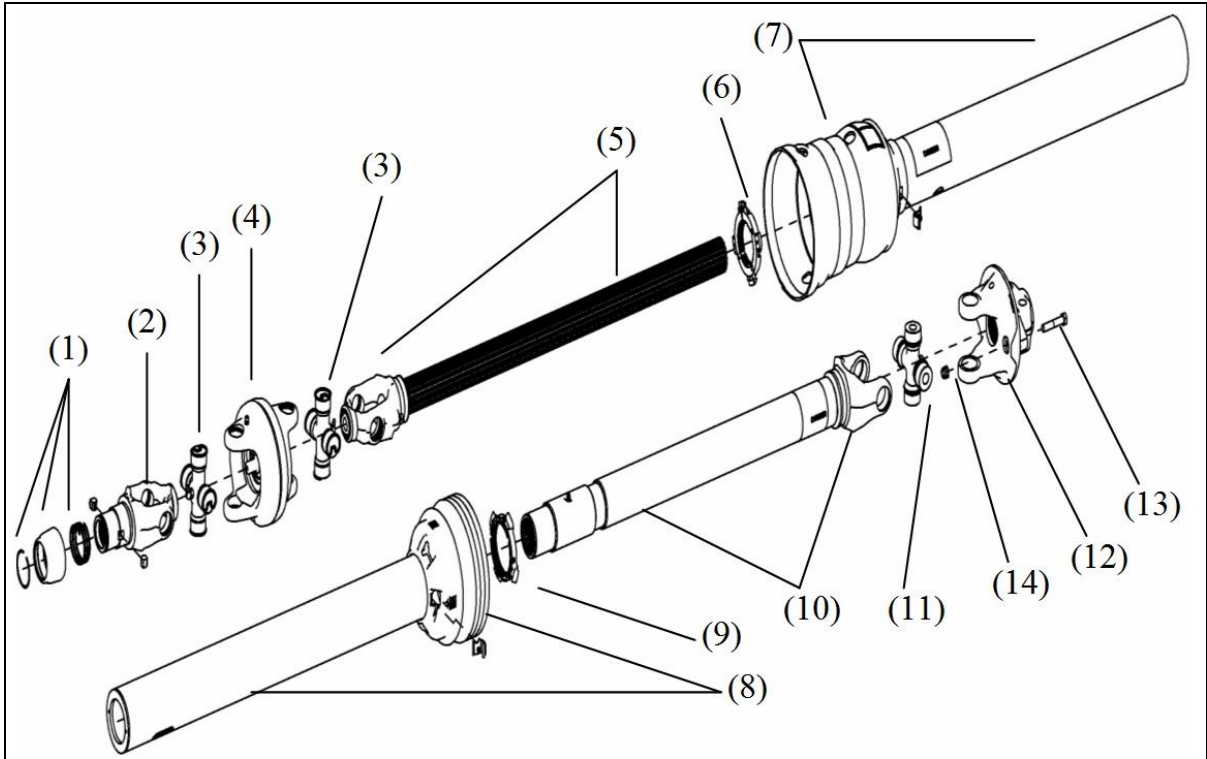
BONDIOLI STYLE 2

PARTS LIST

<u>Ref#</u>	<u>BMI#</u>	<u>Description</u>	<u>Qty.</u>
1	13564	Yoke	1
2	13563	U-Joint Cross Kit	2
3	13568	Yoke	1
4	13565	CV Body	1
5	10122	Flexible Pin	1
6	13566	Cardan Tube	1
7	13567	Inner Cardan Tube	1
8	10125	Flexible Pin	1
9	13569	Yoke	1
10	13022	U-Joint Cross Kit	1
11	13570	LB Torque Limiter	1
12	13571	Grease Zerk	2
13	13572	Shield Screw	17
14	13609	Ring for Inner Cone	1
15	13610	Laufring for Front CV	1
16	13575	Lock Assembly Front CV	1
17	13577	Wedge Lock	1
18	13576	Shear Bolt	1
19	13573	Shield Assembly – Outer	1
20	13574	Shield Assembly – Inner	1

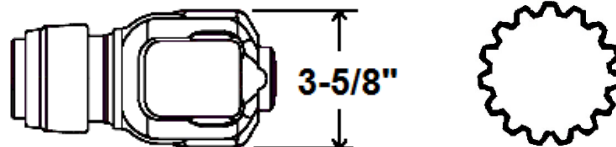


WEASLER STYLE 1

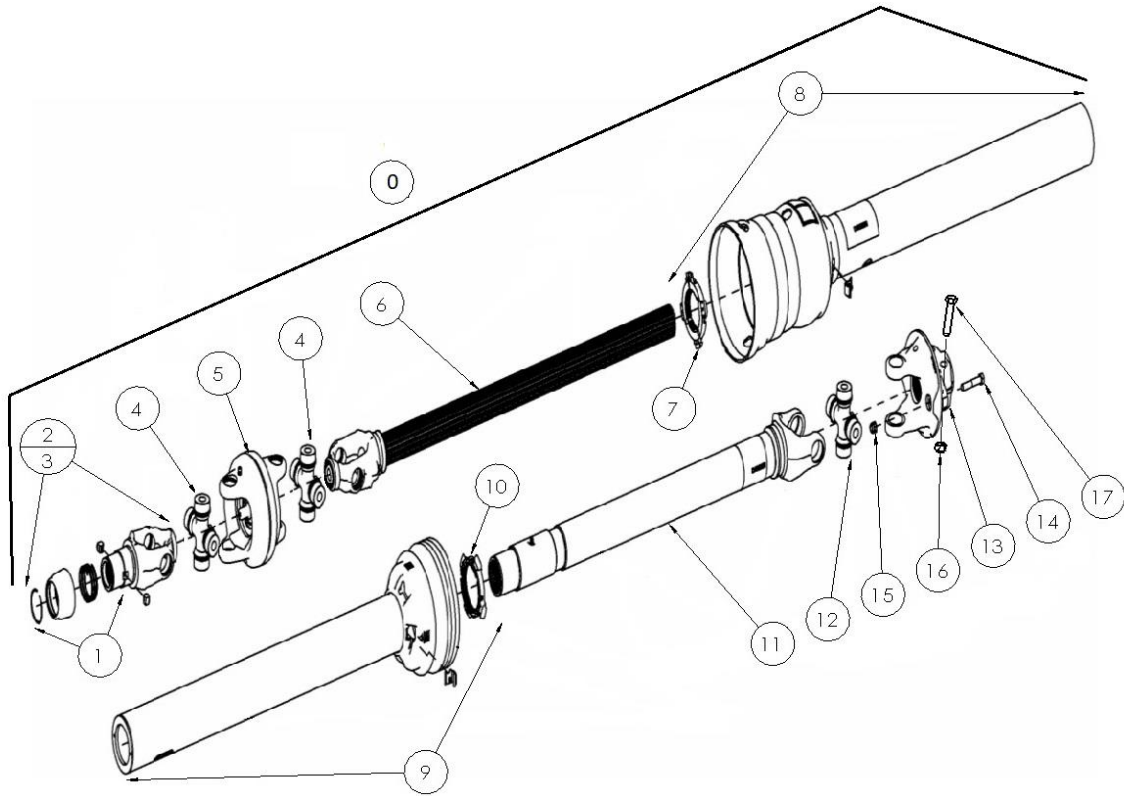


PARTS LIST

<u>Ref#</u>	<u>BMI#</u>	<u>Description</u>	<u>Qty.</u>
1	17567	Safety Slide Lock Repair Kit	1
2	17568	Safety Slide Lock Yoke 1 3/8-21 spline	1
Not Shown	17886	Safety Slide Lock Yoke 1 3/4-20 spline	1
3	17569	CV Cross & Bearing Kit (Unequal length)	2
4	17570	CV Center Housing	1
5	17582	Yoke & Shaft Assy. Tractor Side	1
6	17571	Guard Repair Kit Tractor Side	1
7	17583	Outer Guard Assy Tractor Side (Item #6 incl)	1
8	17585	Inner Guard Assy Impl. Side (Item #9 incl)	1
9	17572	Guard Repair Kit Impl. Side	1
10	17584	Yoke & Tube Assy Impl. Side	1
11	17573	Cross & Bearing Kit	1
12	29963	Shear Assy.	1
13	11817	Shear Bolt 3/8 X 2 NC	1
14	17586	Nut 3/8 Lock Nut	1



WEASLER STYLE 2



#	DESCRIPTION	PART #	QTY
	Complete PTO Shaft Assembly (1-3/8")	20546	1
0a	Tractor Half PTO Assembly (1-3/8"-21 Spline)	32505	1
0b	Tractor Half PTO Assembly (1-3/4"-20 Spline)	32506	1
1a	Safety Slide Lock Repair Kit (1-3/8"-21 Spline)	17567	1
1b	Safety Slide Lock Repair Kit (1-3/4"-20 Spline)	24981	1
2	WWCV Auto-Lok Yoke Assembly (1-3/8"-21 Spline)	20549	1
3	WWCV Auto-Lok Yoke Assembly (1-3/4"-20 Spline)	20556	
4	CV Cross and Bearing Kit (Equal Length)	20550	2
5	CV Center Housing	20551	1
6	Yoke & Shaft Assembly Tractor Side	20552	1
7	Guard Repair Kit Tractor Side	20553	1
8	Guard Assembly Tractor Side	17583	1
9	Guard Assembly Implement Side	17585	1
10	Guard Repair Kit Implement Side	17572	1
11	Yoke & Tube Assembly Implement Side	17584	1
12	U-joint Cross & Bearing Kit	17573	1
13	Shear Assembly * Does not come with bolts 14 or 16 *	29963	1
14	Shear Bolt, 3/8" x 2" Fine Thread	33285	1
15	Nut, 3/8" Stover Lock Fine Thread	33286	1
16	Nut, 5/8" Stover Lock	24982	2
17	Bolt, 5/8" x 3-1/2"	24983	2

NOTE: Ensure that the PTO shaft on the machine is correct to the drawings below. Equal length CV cross (4.19") with bearing cup diameter 1.38".

