

PARTS MANUAL

BALE KING

VORTEX 4100



BRIDGEVIEW

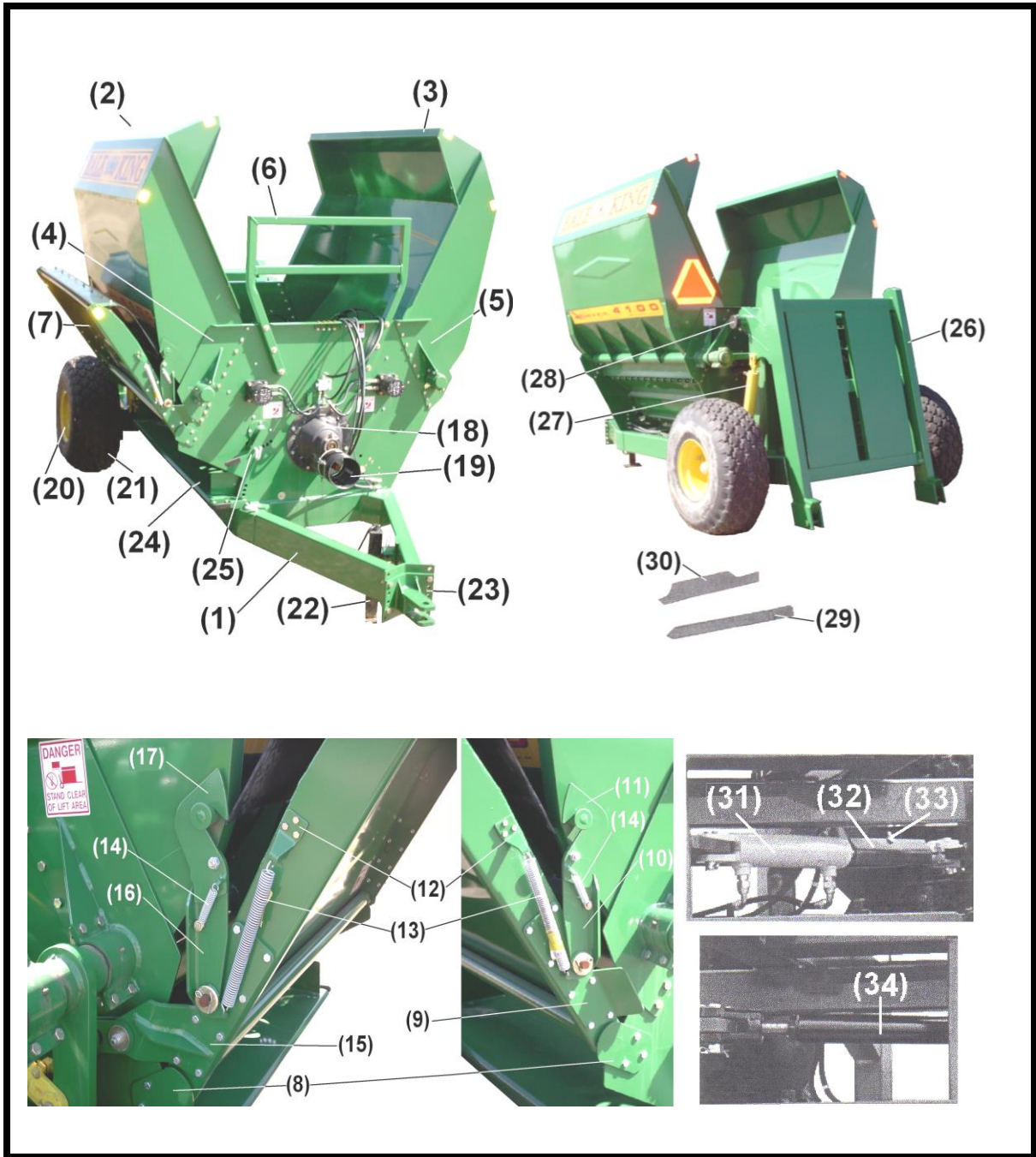
MANUFACTURED BY: BRIDGEVIEW MANUFACTURING INC.
P.O. BOX 4
GERALD, SASK. CANADA
S0A 1B0
PHONE: (306) 745-2711
FAX: (306) 745-3364

TABLE OF CONTENTS

BALE KING VORTEX 4100

EXTERNAL PARTS AND CONTROLS.....	1 - 5
SWITCH.....	5A
HUB ASSEMBLY.....	6
PTO ASSEMBLIES.....	8 - 14
INNER TUB PARTS.....	15 - 16
HYDRAULIC ASSEMBLIES.....	17 - 20
HYDRAULIC SCHEMATICS.....	21 - 22
RIGHT HAND GEARBOX.....	23 - 24
FINE CHOP OPTION (SIDE MOUNT).....	25
MODELS WITH SERIAL # BK3701 AND BELOW	
FINE CHOP OPTION (BOTTOM MOUNT).....	26
SPRING ASSISTED DEFLECTOR.....	27 - 28
HYDRAULIC SCHEMATICS.....	29 - 30
OPTIONAL ATTACHMENTS.....	31 - 32

EXTERNAL PARTS AND CONTROLS



EXTERNAL PARTS AND CONTROLS

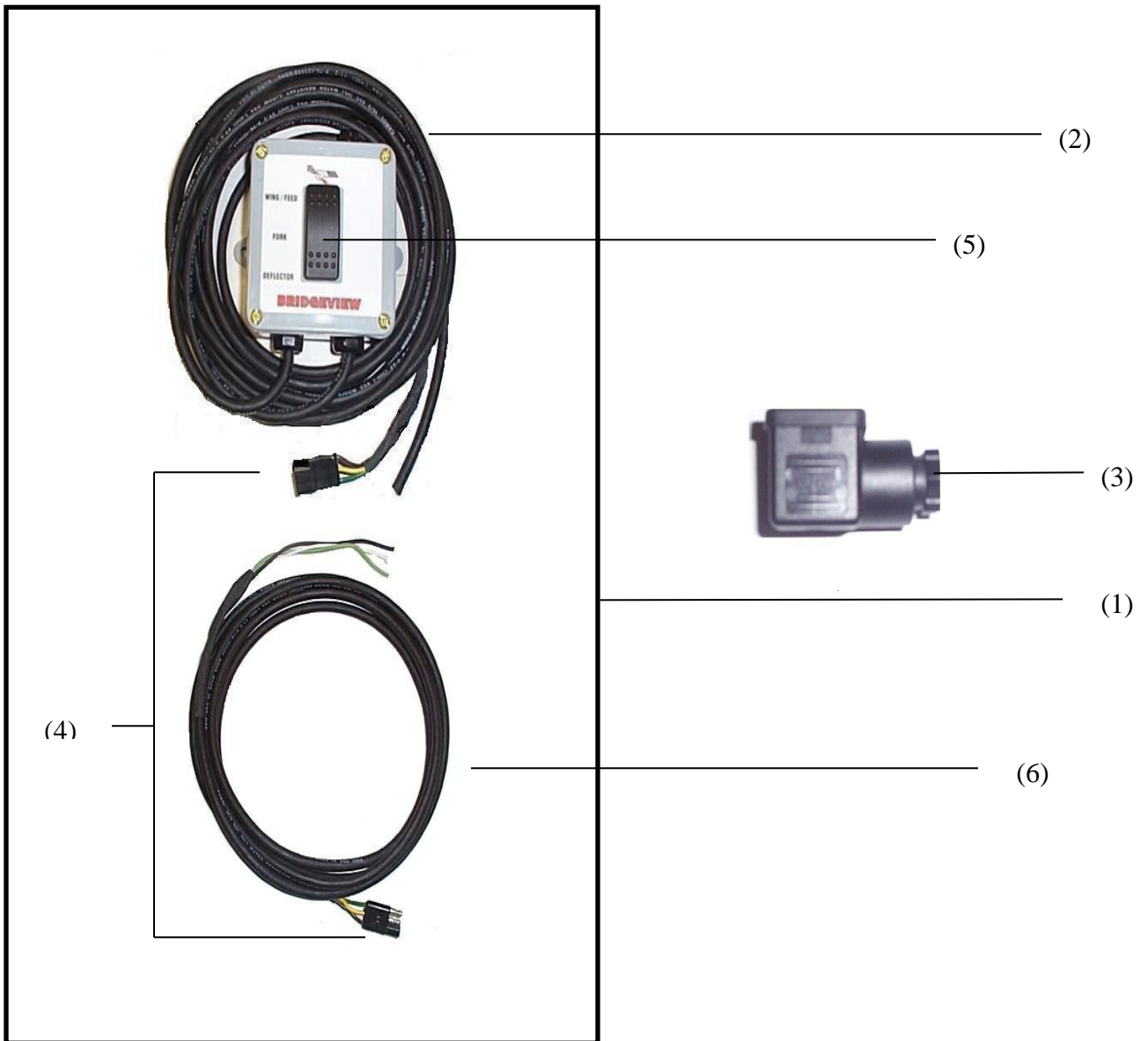
PARTS LIST

<u>Ref#</u>	<u>BMI#</u>	<u>Description</u>	<u>Qty.</u>
	GREEN/YELLOW		
1	N/A	Main Frame	1
2	16751	RH Wing	1
3	16752	LH Wing	1
4	16758	Wing Pivot (RH Front, LH Rear)	2
5	16757	Wing Pivot (LH Front, RH Rear)	2
Not Shown	10280	Grease Zerk	4
Not Shown	16765	Wing Pivot Clamp w/o Zerk Hole	4
Not Shown	14460	1/2" x 1" NC Bolt	52
Not Shown	10278	1/2" Serrated Flange Nut	52
Not Shown	16764	Wing Pivot Clamp w/Zerk Hole	2
Not Shown	10280	Grease Zerk	2
Not Shown	14460	1/2" x 1" NC Bolt	8
Not Shown	10278	1/2" Serrated Flange Nut	8
6	16756	Front Rack	1
Not Shown	15396	1/2" x 3" NC Bolt	6
Not Shown	13790	1/2" Flat Washer	6
Not Shown	10278	1/2" Serrated Flange Nut	6
7	11807	Side Deflector	1
not shown	10576	20698 Pivot Rod Rubber Deflector	1
8	12815	Deflector Mounts	2
Not Shown	13806	3/8" x 1" NC Bolt	6
Not Shown	11818	3/8" Serrated Flange Nut	6
9	16761	Mounting Plate for Deflector Hook (Front)	1
Not Shown	13806	3/8" x 1" NC Bolt	8
Not Shown	11818	3/8" Serrated Flange Nut	8
10	13373	Hook Bottom (Front)	1
Not Shown	13788	1/2" x 1 1/4" Carriage Bolt	1
Not Shown	16345	1/2" Fender Washer	1
Not Shown	14443	1/2" Locknut	1
Not Shown	10580	1/4" x 2" Cotter Pin	1
11	13376	Hook Top (Front)	1
12	16759	Spring Clip	2
Not Shown	15404	1/4" x 3/4" NC Bolt	6
Not Shown	11812	1/4" Serrated Flange Nut	6
13	11787	Tension Spring	2
14	11788	Tension Spring	2
15	16760	Mounting Plate for Deflector Hook (Rear)	1
Not Shown	13806	3/8" x 1" NC Bolt	8
Not Shown	11818	3/8" Serrated Flange Nut	8

16	13375	Hook Bottom (Rear)	1
Not Shown	13788	1/2" x 1 1/4" Carriage Bolt	1
Not Shown	16345	1/2" Fender Washer	1
Not Shown	14443	1/2" Locknut	1
Not Shown	10580	1/4" x 2" Cotter Pin	1
Not Shown	13372	Slotted Bracket	2
Not Shown	13804	1/2" x 2" NC Bolt	1
Not Shown	14443	1/2" Locknut	1
Not Shown	10239	1/2" Bushing	2
Not Shown	16345	1/2" Fender Washer	2
Not Shown	16416	Rocker Arm (Bolt-on pivot)	1
Not Shown	13370	Rocker Arm (Weld-on pivot)	1
Not Shown	13804	1/2" x 2" NC Bolt	2
Not Shown	14443	1/2" Locknut	1
Not Shown	10239	1/2" Bushing	2
Not Shown	16345	1/2" Fender Washer	2
Not Shown	10580	1/4" x 2" Cotter Pin	1
Not Shown	16415	Rocker Arm Pivot	1
Not Shown	14460	1/2" x 1" NC Bolt	4
Not Shown	10278	1/2" Serrated Flange Nut	4
Not Shown	14472	1" Flat Washer	2
Not Shown	10580	1/4" x 2" Cotter Pin	1
Not Shown	10317 17442	Deflector Hydraulic Cylinder (See Page 18)	1
Not Shown	10801	1/2" x 3 1/2" NC Bolt	1
Not Shown	10516 17594	Deflector Cylinder Mount (Front Plate)	1
Not Shown	13806	3/8" x 1" NC Bolt	4
Not Shown	11818	3/8" Serrated Flange Nut	4
17	13377	Hook Top	1
Not Shown	10288	Channel Rubber Deflector	1
Not Shown	10477	Rubber Deflector 18"	1
Not Shown	13806	3/8" x 1" NC Bolt	8
Not Shown	13802	3/8" NC Locknut	8
18	10420	Right Hand Gearbox (See Page 21)	1
Not Shown	14461	1/2" x 1 1/2" NC Bolt (Bondioli)	8
Not Shown	15403	1/2" x 1 3/4" NC Bolt (Star)	8
Not Shown	10278	1/2" Serrated Flange Nut	8
19	10421	PTO Shield	1
Not Shown	13806	3/8" x 1" NC Bolt	4
Not Shown	13773	3/8" Flat Washer	4
Not Shown	13802	3/8" NC Locknut	4
20	10354	W14C x 16.1 8 – Rim - Yellow	2
21	10355	16L x 16.1 Tire	2
22	10458	Telescoping Jack	1
23	10281	Hitch Assembly	1
Not Shown	13800	3/4" x 2" NC Bolt	4
Not Shown	13795	3/4" Lock Washer	4

Not Shown	12455	3/4" NC Nut	4
24	10825	Bottom Deflector	1
Not Shown	11662	5/16" x 3/4" Carriage Bolt	6
Not Shown	11815	5/16" Serrated Flange Nut	6
Not Shown	14461	1/2" x 1 1/2" NC Bolt	2
Not Shown	14443	1/2" NC Locknut	2
Not Shown	16345	1/2" Fender Washer	2
Not Shown	10239	Deflector Bushing	2
Not Shown	13806	3/8" x 1" NC Bolt	2
Not Shown	11818	3/8" Serrated Flange Nut	2
Not Shown	10231	Plated S-Handle	1
Not Shown	10301	Compression Spring	1
Not Shown	10302	Roll Pin	1
Not Shown	10297	Rubber Grip	1
25	10826	Hoop Height Adjuster	1
Not Shown	13806	3/8" x 1" NC Bolt	4
Not Shown	11818	3/8" Serrated Flange Nut	4
Not Shown	10297	Rubber Handle Cover	1
Not Shown	10231	Plated S Handle	1
Not Shown	10301	Compression Spring	1
Not Shown	10302	Roll Pin	1
26	10578	Rear Fork Frame	1
Not Shown	10579	Pivot Pipe	1
Not Shown	15411	1/2" x 4 3/4" NC Bolt	1
Not Shown	10278	1/2" NC Locknut	1
Not Shown	10280	1/4" Grease Zerk	2
Not Shown	10580	1/4" x 2" Cotter Pin	2
27		Fork Hydraulic Cylinder (See Page 15, 16)	2
Not Shown	10339	Butt End Cylinder	2
Not Shown	10341	Ram End Cylinder	2
Not Shown	10580	1/4" x 2" Cotter Pin	8
Not Shown	16640	Cylinder Safety Lock	1
Not Shown	12050	PTO Clip, Safety Lock	1
28	10504	3" Rubber Cap	2
29	10303 17606	Bale Tine	2
30	10234	Small Bale Tine (Optional)	2
Not Shown	10031	Headed Pin	2
Not Shown	10072	3/16" x 1 1/2" Cotter Pin	2
31	10559	Wing Hydraulic Cylinder (See Page 17)	1
Not Shown	10339	Cylinder Pin 2 3/8"	1
Not Shown	10341	Cylinder Pin 3"	1
Not Shown	10580	1/4" Cotter Pin	4
32	10585	Safety Stop (Wings)	1
33	10584	Quick Pin	1
34	10581	Wing Linkage	1
Not Shown	10341	Cylinder Pin 3"	2

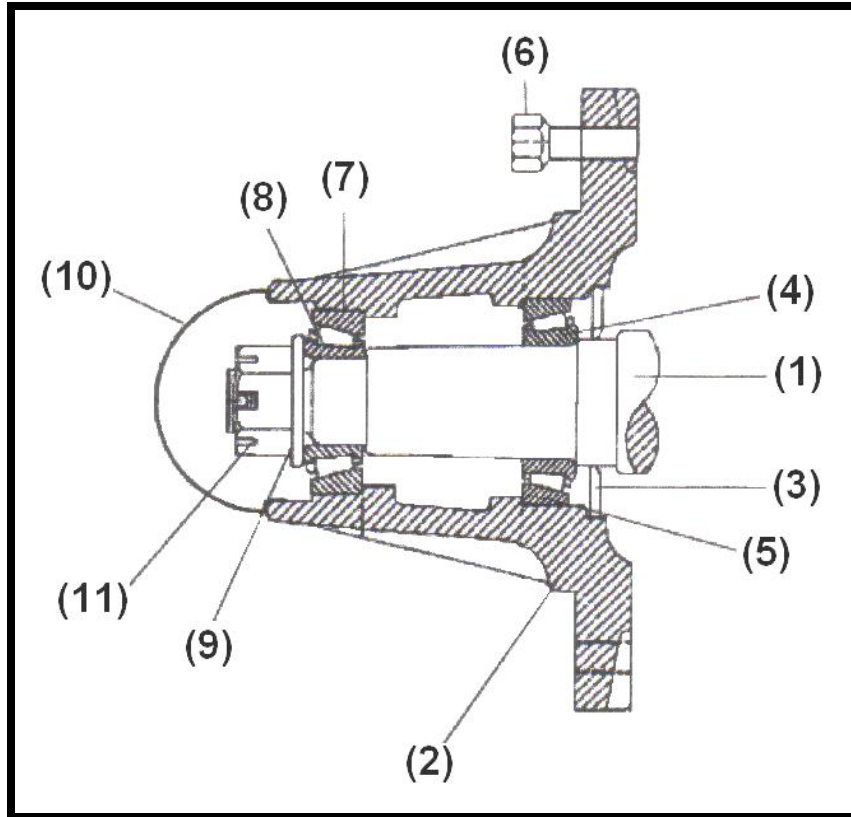
Not Shown	10580	1/4" x 2" Cotter Pin	4
Not Shown	16640	Cylinder Safety Lock	1
Not Shown	12050	PTO Clip, Safety Lock	1
Not Shown	11742	Splitter (See Page 19)	1
Not Shown	13761	1/4" x 2" NC Bolt	2
Not Shown	15402	1/4" NC Locknut	2
Not Shown	13763	1/4" Washer	2
Not Shown	11045	Hydraulic Motors (See Page 19)	2
Not Shown	11743	Diverter (See Page 19)	1
Not Shown	11783	5/16" x 3" Socket Head Bolt	2
Not Shown	15870	5/16" NC Locknut	2
Not Shown		Vortex Decals:	
	12190 17361	Bale King	2
	12189 17369	V4100	2
	12239	PIMA	1
	12521	Patent	1
Not Shown		Safety Decals:	
	12229	Danger Sign (Lift Area)	2
	12230	Danger Sign	4
	12219	Caution Sign	2
	12228	SMV	1
	13324	1 1/2" x 3" Amber Reflective Decal	5
	13325	1 1/2" x 3" Red Reflective Decal	5



PARTS LIST

<u>Ref #</u>	<u>BMI#</u>	<u>Description</u>	<u>Qty.</u>
1	11801	Complete control box with harness for 4000 series	1
2	11793	Control box complete with cab to hitch harness all 3000 & 4000 series	1
3	13657	Square plug for diverter valve	2
4	13562	3 pin trailer plug	1
5	13561	3 way switch	1
6	11802	Harness (hitch to valve) 4000 series	1

HUB ASSEMBLY



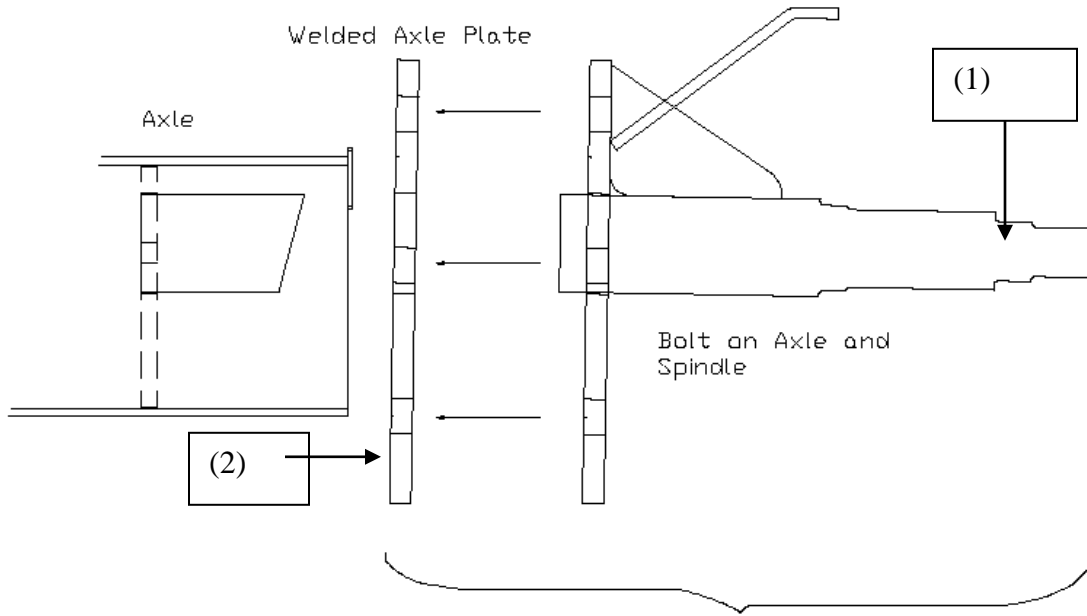
Note: Axle Repair Kit on Next Page

HUB ASSEMBLY

PARTS LIST

<u>Ref#</u>	<u>BMI#</u>	<u>Description</u>	<u>Qty.</u>
1	10342	Spindle 2.25" x 15.5"	2
2	10343	Hub 6500 Series	2
3	10344	Dirt Seal	2
4	10345	Inner Bearing Cone	2
5	10346	Inner Bearing Cup	2
6	10347	9/16" x 1 3/4" NF Wheel Stud	16
7	10348	Outer Bearing Cone	2
8	10349	Outer Bearing Cup	2
9	10071	1 1/16" x 2" Flat Washer	2
Not Shown	10072	3/16" x 1 1/2" Cotter Pin	2
10	10350	Dust Cap	2
11	10153	Castle Nut	2

Axle Repair Kit



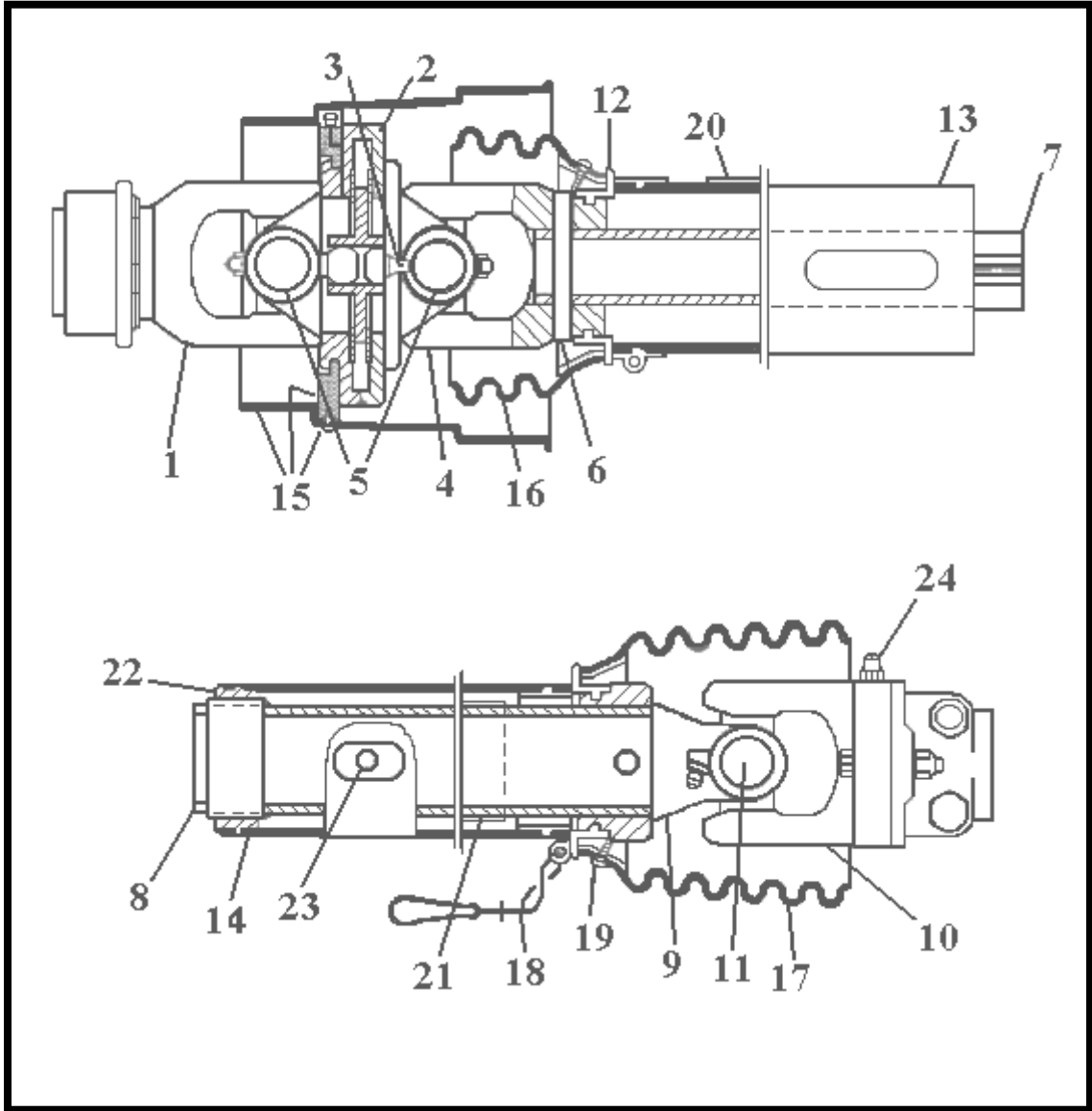
Kit

Axle Repair Kit

PARTS LIST

<u>Ref#</u>	<u>BMI#</u>	<u>Description</u>	<u>Qty.</u>
Kit	16993	Axle repair kit spindle	1
1	16807	spindle assembly	1
2	N/A	weldment plate	1
Not Shown	13800	bolt $\frac{3}{4}$ x 2 NC	6
Not Shown	12455	Nut $\frac{3}{4}$ NC	6
Not Shown	13795	Lock Washer $\frac{3}{4}$	6

PTO ASSEMBLY (WALTERSCHEID) #10087



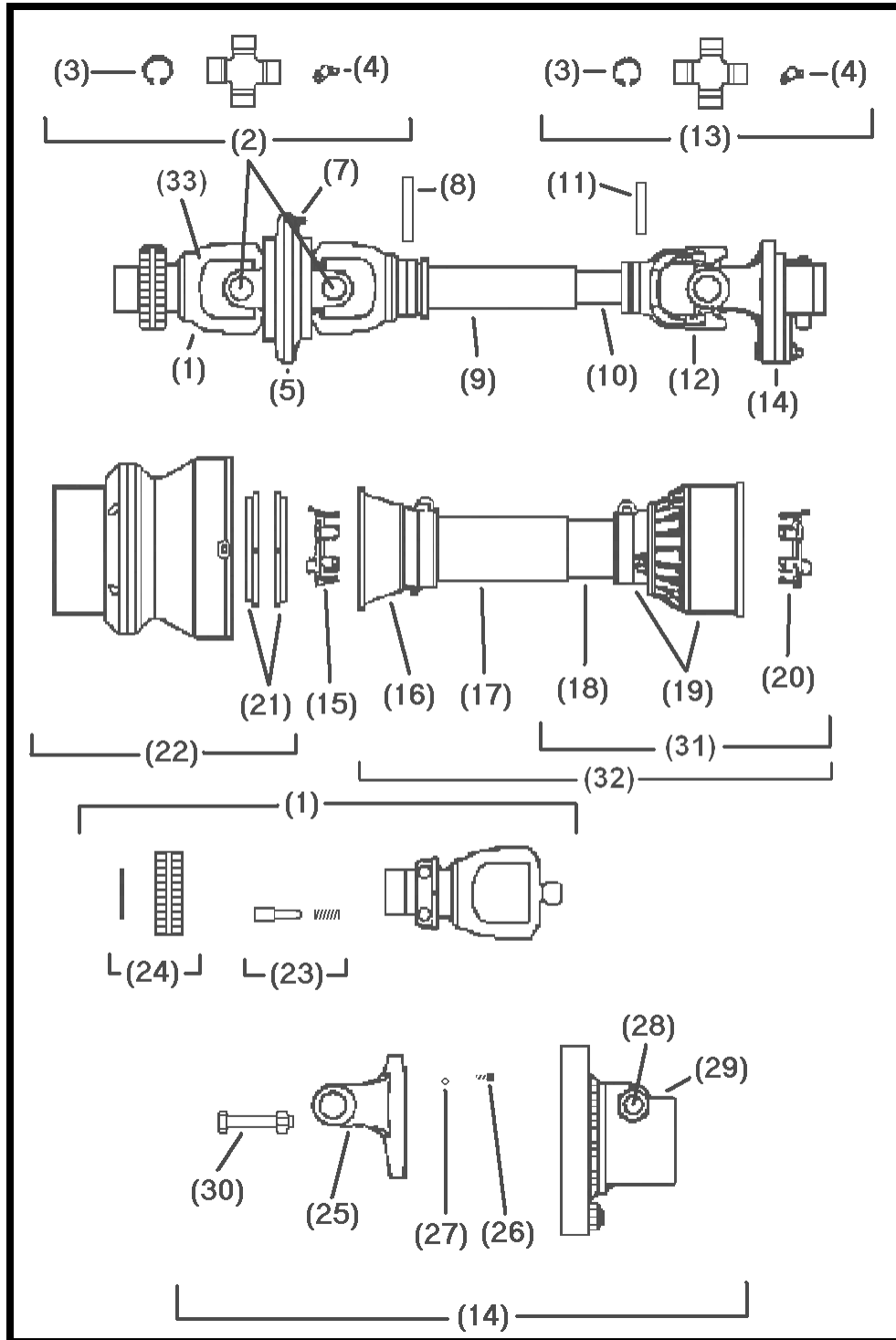
PTO ASSEMBLY (WALTERSCHEID)

PARTS LIST

<u>Ref#</u>	<u>BMI#</u>	<u>Description</u>	<u>Qty.</u>
	GREEN/YELLOW		
	10087 17388	Complete PTO Assembly	
1	10088	Yoke 1 3/8" – 21 SPL.	1
2	10090	Double Yoke	1
3	N/A	Grease Zerk (Included with item 2)	1
4	10091	Inboard Yoke 1b	1
5	10092	Cross and Bearing Kit	2
6	10093	Spring Pin	2
7	10095	Inner Profile 1bGA	1
8	10096	Profile and Sleeve W.A.	1
9	10097	Inboard Yoke 2a	1
10	10591	Shear Bolt Clutch	1
11	10094	Cross and Bearing Kit	1
12	10099	Bearing Ring SC25 Shield	2
13	10100	Outer Shield Tube, Oval Shield	1
14	10101	Inner Shield Tube, Oval Shield	1
15	10102	CV Cone and Bearing Assembly Shield	1
16	10103	Shield Cone 3 Rib	1
17	10104	Shield Cone 6 Rib	1
18	10105	Safety Chain	1
19	10108	Screw (Included with items 15, 16 ,17)	8
20	10106	Decal Outer (Included with item 13)	1
21	10107	Decal Inner (Included with item 8)	1
22	10109	Support Bearing	1
23	10110	Grease Zerk (Included with item 8)	1
24	10592	10mm Grease Zerk	10
Not Shown	10113	ASG. Col. Kit (Included with item 1)	1
Not Shown	10470	10mm x 60mm Shear Bolt	1
Not Shown	10471	10mm Locknut	1

Walterscheid: Identified by *Accordian Style* bell shield on machine end of PTO

PTO ASSEMBLY (BONDIOLI) #10114

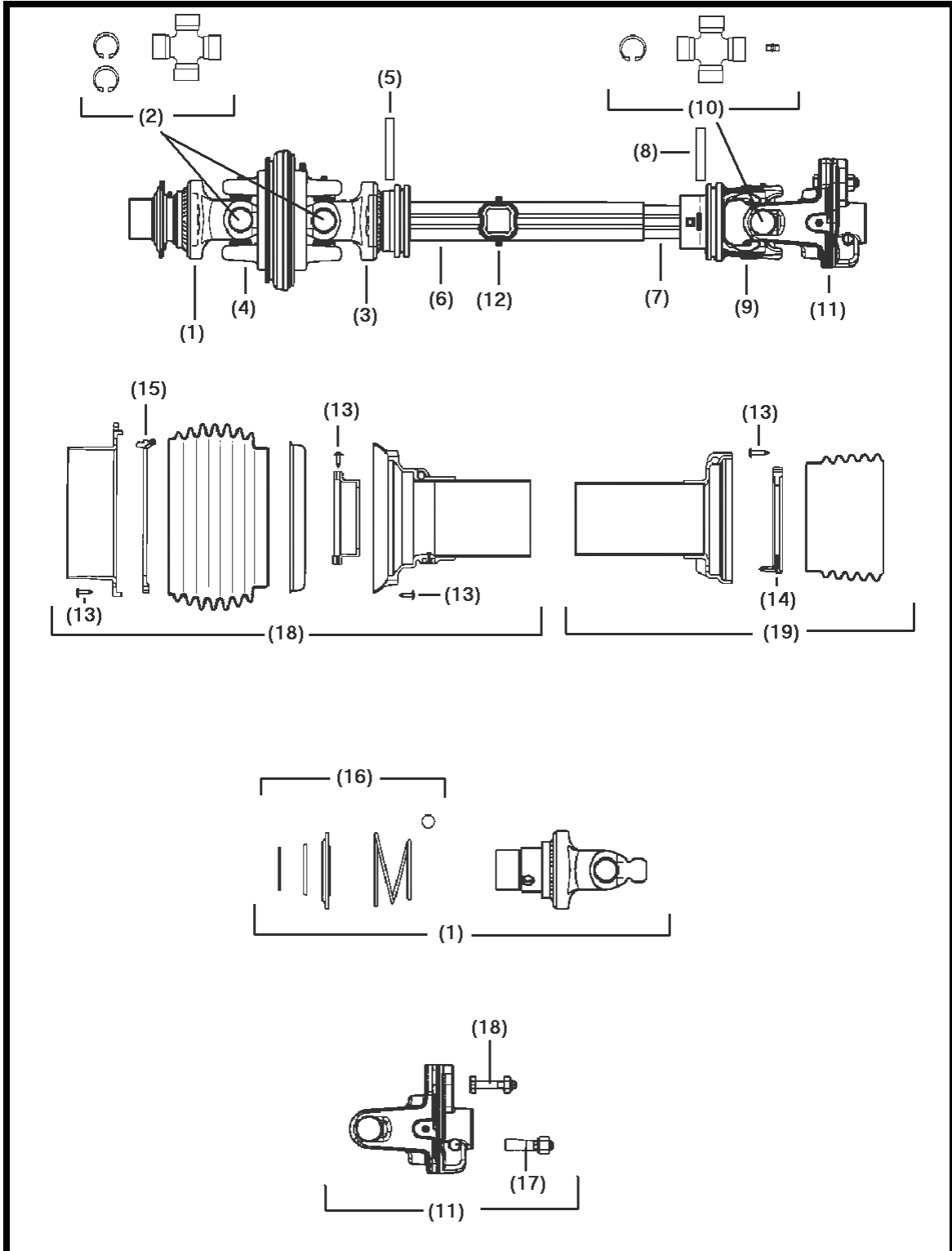


PTO ASSEMBLY (BONDIOLI)

PARTS LIST

<u>Ref#</u>	<u>BMI#</u>	<u>Description</u>	<u>Qty.</u>
	GREEN/YELLOW		
	10114 17388	Complete PTO Assembly	
1	10202	Yoke w/Bridge (Sliding Collar) 1 3/8"	1
2	10116	U-Joint Cross Kit	2
3	N/A	Circlip (Included with Cross Kit)	8
4	N/A	Grease Zerk (Included with Cross Kit)	2
5	10119	Central Body CV Joint	1
6	10120	Yoke	1
7	10121	Grease Zerk	1
8	10122	Roll Pin	1
9	10123	Cardan Tube	1
10	10124	Cardan Tube CM	1
11	10125	Roll Pin	1
12	10126	Inner Tube Yoke	1
13	10127	U-Joint Cross Kit	1
14	13703	Torque Limiter (Quick Pin Style)	1
15	10129	Shield Support 6-7	1
16	10130	Safety Cone	1
17	10131	CM Safety Tube	1
18	10132	SM Safety Tube	1
19	10133	I Cone Sets F5-6-7	1
20	10134	Shield Support 6-7	1
21	10135	Ring Nut Dowell	1
22	10136	Complete Shell	1
23	10137	Complete Push Bottom	1
24	10138	Hub	1
25	N/A	Yoke (Included w/item 13703)	1
26	10140	Grease Zerk	1
27	10141	Ball 5/16	1
28	N/A	Nut Sold with Item #29	1
29	10406	Wedge Lock on machine Yoke	1
30	10407	Shear Bolt (Pkg. of 5)	1
31	10150	Half Shaft Shield (Impl. end)	1
32	10151	Safety Shield – Complete	1
33	10152	Yoke 1 3/4" 20-Spline	1

PTO ASSEMBLY (BONDIOLI) #12574

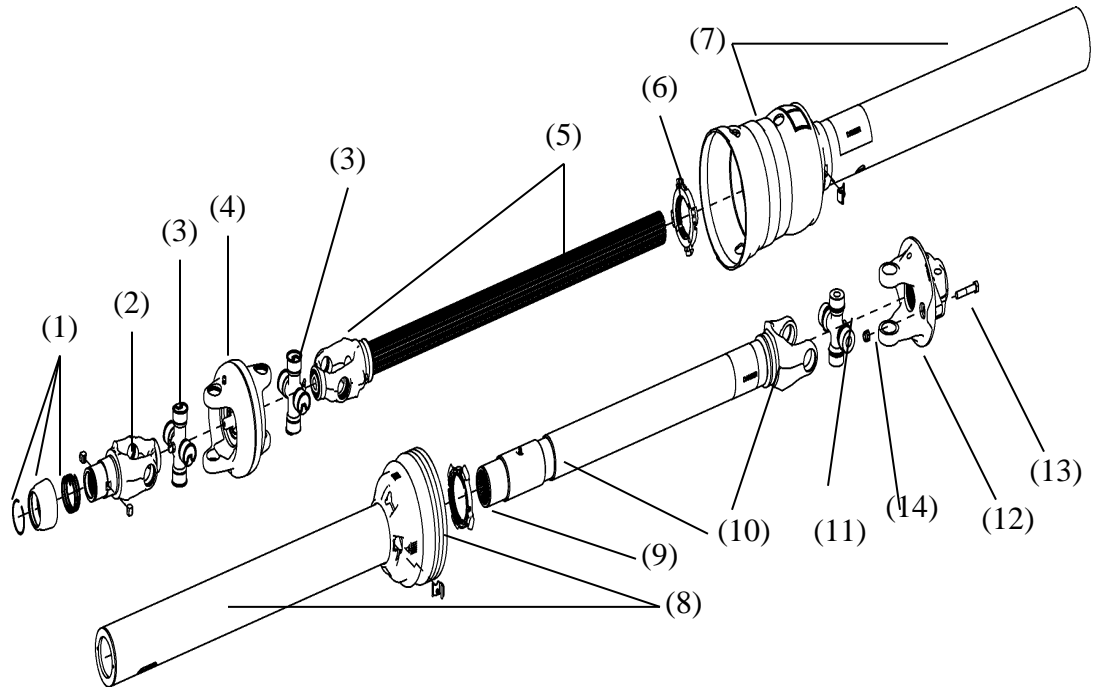


PTO ASSEMBLY (BONDIOLI)

PARTS LIST

<u>Ref#</u>	<u>BMI#</u>	<u>Description</u>	<u>Qty.</u>
	GREEN/YELLOW		
	12574 17388	Complete PTO Assembly	
1	13564	Yoke	1
2	13563	U-Joint Cross Kit	2
3	13568	Yoke	1
4	13565	CV Body	1
5	10122	Flexible Pin	1
6	13566	Cardan Tube	1
7	13567	Inner Cardan Tube	1
8	10125	Flexible Pin	1
9	13569	Yoke	1
10	13022	U-Joint Cross Kit	1
11	13570	LB Torque Limiter	1
12	13571	Grease Zerk	2
13	13572	Shield Screw	17
14	13609	Ring for Inner Cone	1
15	13610	Laufring for Front CV	1
16	13575	Lock Assembly Front CV	1
17	13577	Wedge Lock	1
18	13576	Shear Bolt	1
19	13573	Shield Assembly – Outer	1
20	13574	Shield Assembly – Inner	1

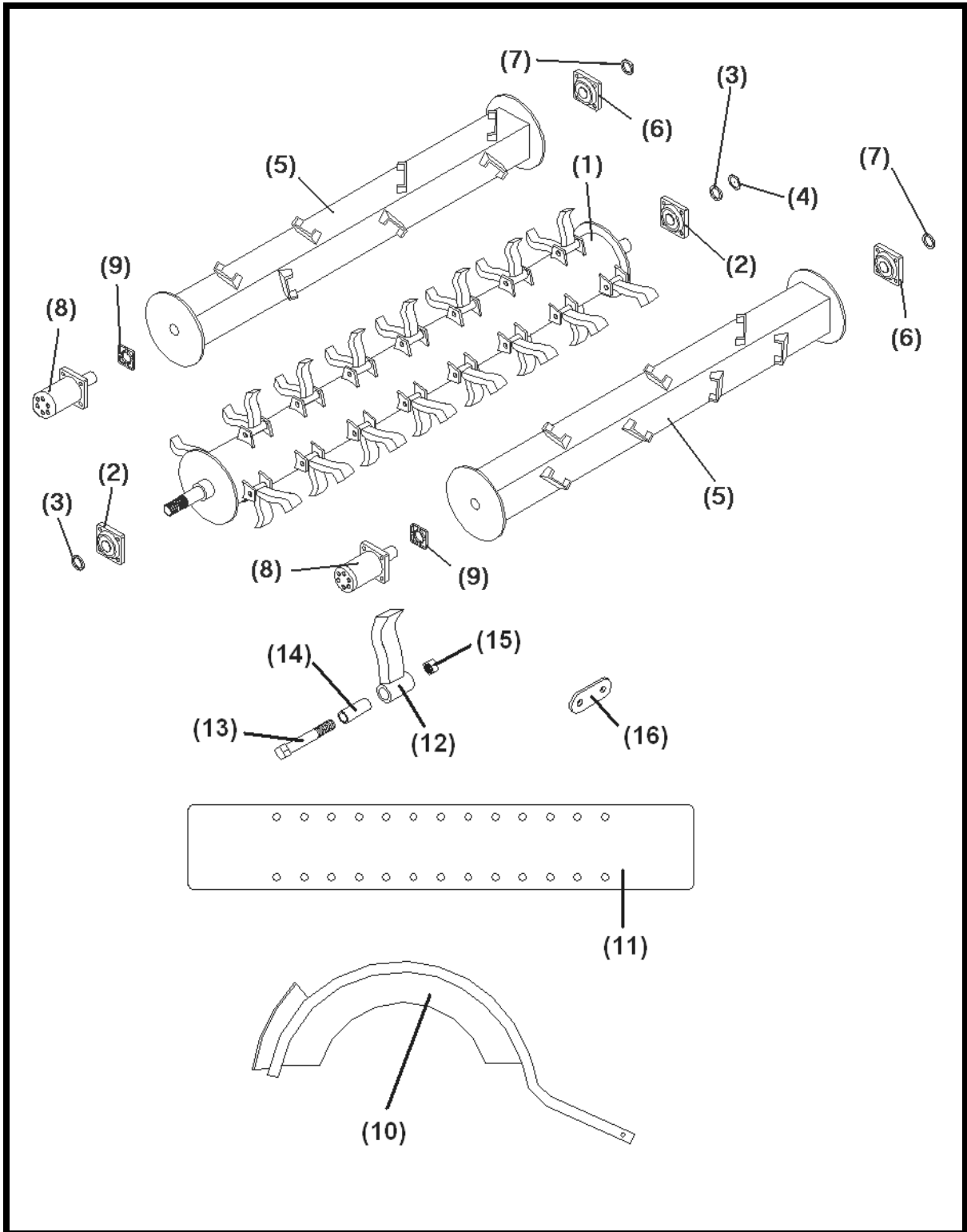
Weasler PTO SHAFT 17388



PTO ASSEMBLY (WEASLER)

<u>Ref #</u>	<u>BMI #</u>	<u>Decription</u>	<u>Qty.</u>
	17388	Complete PTO Assembly	1
1	17567	Safety Slide Lock Repair Kit	1
2	17568	Safety Slide Lock Yoke 1 3/8- 21 spline	1
3	17569	CV Cross & Bearing Kit	2
4	17570	CV Center Housing	1
5	17582	Yoke & Shaft Assy. Tractor Side	1
6	17571	Guard Repair Kit Tractor Side	1
7	17583	Outer Guard Assy Tractor Side (Item #6 incl)	1
8	17585	Inner Guard Assy Impl. Side (Item #9 incl)	1
9	17572	Guard Repair Kit Impl. Side	1
10	17584	Yoke & Tube Assy Impl. Side	1
11	17573	Cross & Bearing Kit	1
12	17581	Shear Assy.	1
13	11817	Shear Bolt 3/8 X 2 NC	1
14	17586	Nut 3/8 Lock Nut	1
15	17886	Safety Slide Lock Yoke Assy. 1 3/4 - 20 Spline	1

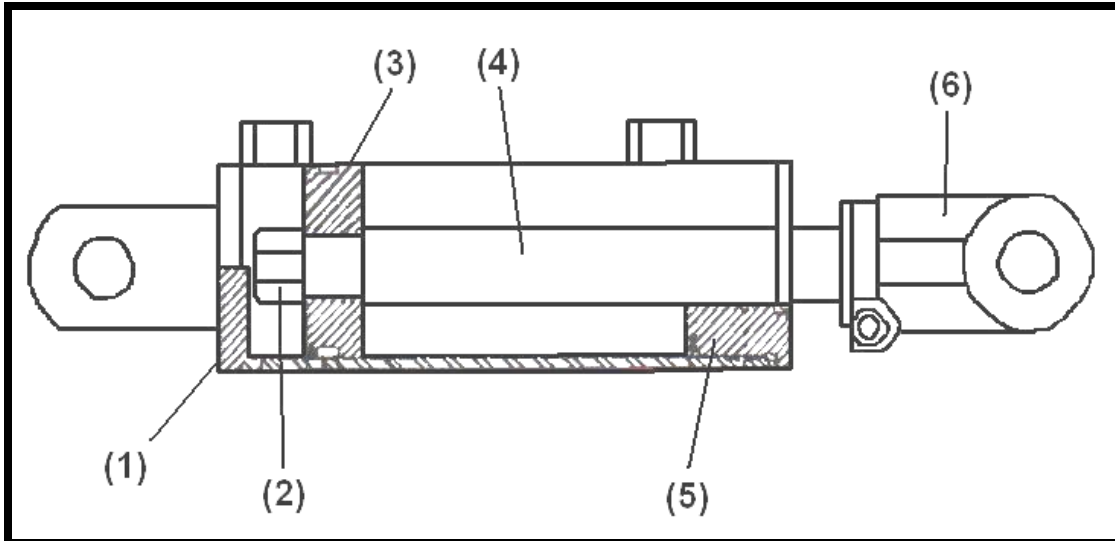
INNER TUB PARTS



INNER TUB PARTS PARTS LIST

<u>Ref#</u>	<u>BMI#</u>	<u>Description</u>	<u>Qty.</u>
	GREEN/YELLOW		
1	10260 17401	Rotor	1
2	10221	1 15/16" Rotor Bearings	2
Not Shown	10270	1/8" NPT Grease Zerk	2
Not Shown	10274	5/8" x 1 3/4" NF Bolt	8
Not Shown	15398	5/8" Flange Locknut	8
Not Shown	10477	Right Hand Rotor Support	1
Not Shown	15399	7/16" x 2 3/4" NC Bolt	4
Not Shown	10799	7/16" Locknut	4
Not Shown	10229 17602	Rotor & Beater Twine Guard	6
Not Shown	13806	3/8" x 1" NC Bolt	24
Not Shown	11818	3/8" Serrated Flange Nut	16
Not Shown	13802	3/8" Locknut	4
Not Shown	13772	3/8" Flat Washer	2
3	10268	1 15/16" Lock Collar	2
4	10227	Split Collar	1
5	12802 17603	Beaters	2
6	10038	1 3/4" Bearings (Beaters)	2
Not Shown	10270	1/8" NPT Grease Zerk	2
Not Shown	14461	1/2" x 1 1/2" NC Bolt	8
Not Shown	10278	1/2" Serrated Flange Nut	8
7	10040	1 3/4" Lock Collar	2
8	10045	Hydraulic Beater Motors (See Page 19)	2
Not Shown	10172	1/2" x 2 1/2" NC Socket Head bolt	8
Not Shown	10183	1/2" Lock Washer	8
Not Shown	10278	1/2" NC Serrated Flange Nut	8
9	10021	Coupler Assembly	2
10	10463 17604	Hoop	14
Not Shown	13769	3/8" x 2 1/4" NC Bolt	11
Not Shown	13806	3/8" x 1" NC Bolt	22
Not Shown	13802	3/8" NC Locknut	33
11	10514 17605	Charging Panel	1
12	10223 17460	Flail (Replace in Pairs)	30
13	10443	Shoulder Bolt	30
14	10005	Flail Bushing	30
15	10007	3/4" NC Locknut	30
16	10513 19413	Hoop Adjustment Shackle	2
Not Shown	14461	1/2" x 1 1/2" NC Bolt	4
Not Shown	16345	1/2" Fender Washer	4
Not Shown	10239	1/2" Bushing	4
Not Shown	14443	1/2" NC Locknut	4

HYDRAULIC CYLINDER (FORKS) 1 1/4" SHAFT

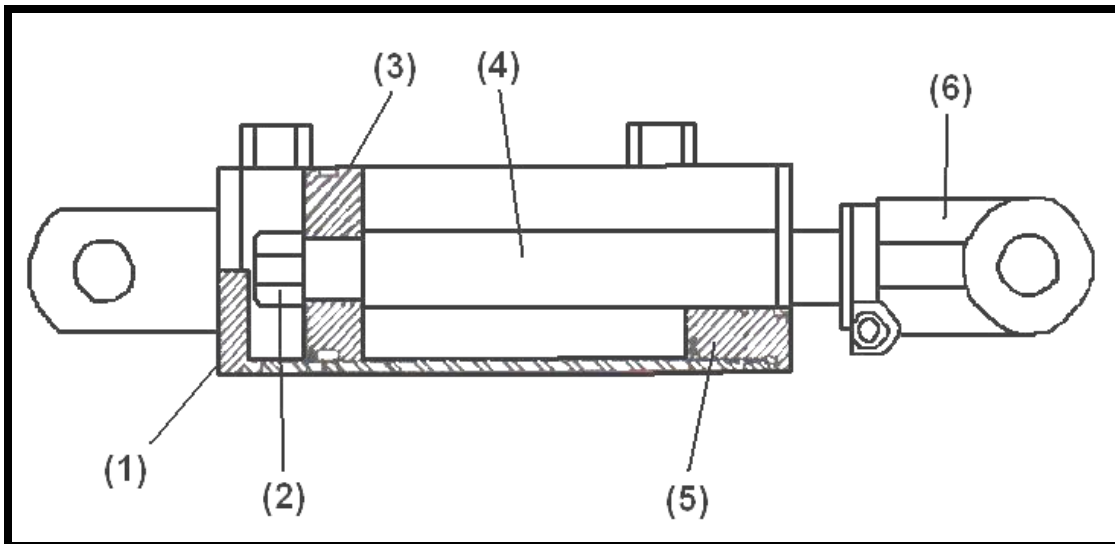


HYDRAULIC CYLINDER (FORKS) 1 1/4" SHAFT

PARTS LIST

<u>Ref#</u>	<u>BMI# #</u>	<u>Description</u>	<u>Qty.</u>
	10528	Hydraulic Cylinder Assembly	1
1	10535	Barrel Assembly w/Clevis	1
2	10062	Locknut Piston Rod	1
3	10536	Piston 3" Dia.	1
4	10537	Cylinder Shaft	1
5	10538	Gland	1
6	10061	Clevis	1
Not Shown	10539	Seal Kit	1

HYDRAULIC CYLINDER (FORKS) 1 1/2" SHAFT

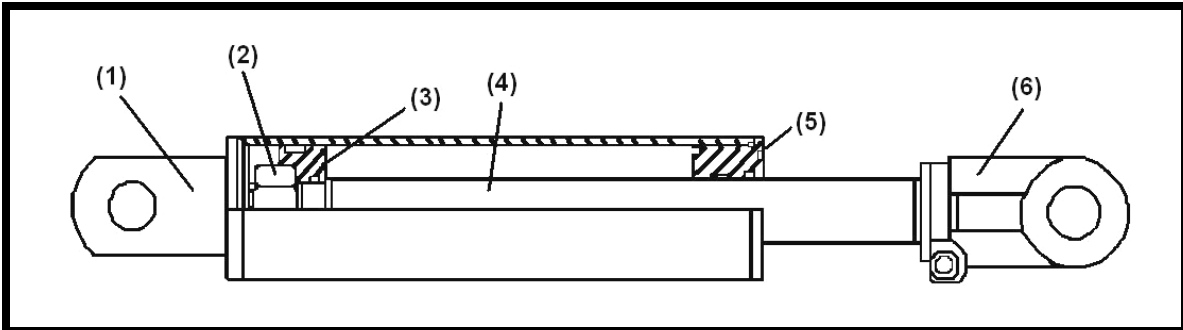


HYDRAULIC CYLINDER (FORKS) 1 1/2" SHAFT

PARTS LIST

<u>Ref#</u>	<u>BMI#/HY-SPEC#</u>	<u>Description</u>	<u>Qty.</u>
	12865 17444	Hydraulic Cylinder Assembly	
1	10535	Barrel Assembly w/Clevis	1
2	10062	Locknut Piston Rod	1
3	12875	Piston	1
4	12873	Cylinder Shaft	1
5	12874 N/A	Gland	1
6	10061	Clevis	1
Not Shown	12872 17609	Seal Kit	1

HYDRAULIC CYLINDER (WINGS)

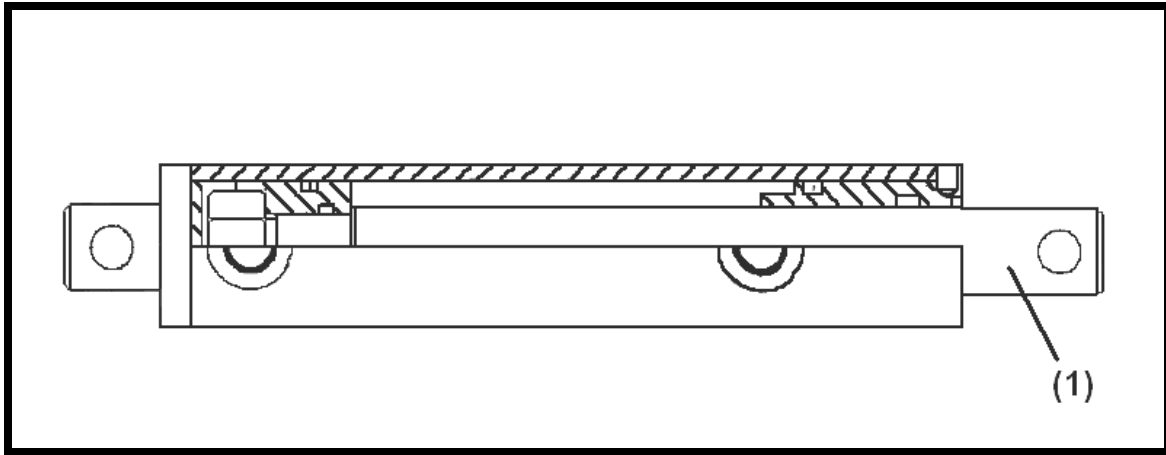


HYDRAULIC CYLINDER (WINGS)

PARTS LIST

<u>Ref#</u>	<u>BMI#</u>	<u>Description</u>	<u>Qty.</u>
	10559	Hydraulic Cylinder Assembly	1
1	10589	Barrel Assembly	1
2	10062	Locknut	1
3	10519	Piston	1
4	10590	Shaft, 2.5" x 8"	1
5	10060	Gland	1
6	10061	Clevis	1
Not Shown	10521	Seal Kit	1

HYDRAULIC CYLINDER (DEFLECTOR)

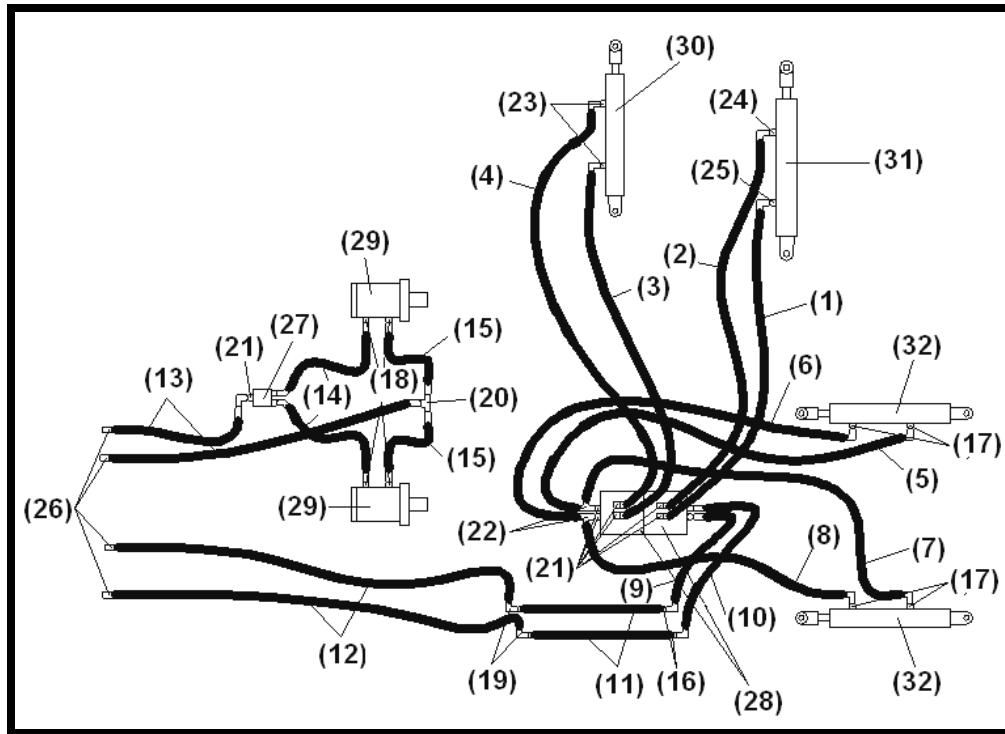


HYDRAULIC CYLINDER (DEFLECTOR)

PARTS LIST

<u>Ref#</u>	<u>BMI#</u>	<u>HY-SPEC#</u>	<u>Description</u>	<u>Qty.</u>
	10317	17442	Hydraulic Cylinder Assembly	1
1	16746	17614	1" Cylinder Shaft	1
Not Shown	10318	17613	Seal Kit	1

HYDRAULIC SCHEMATICS



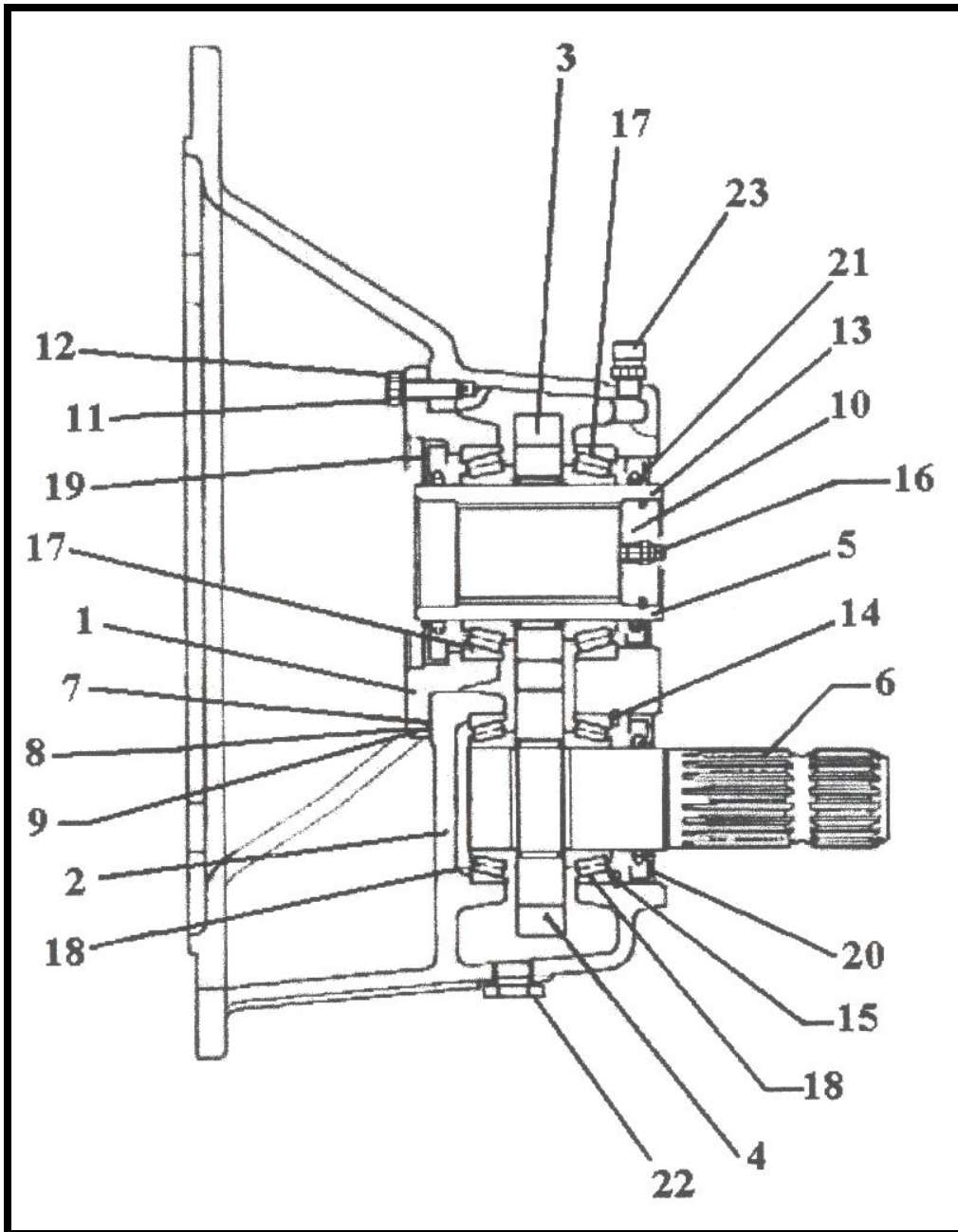
HYDRAULIC SCHEMATICS

PARTS LIST

<u>Ref#</u>	<u>BMI#</u>	<u>Description</u>	<u>Qty.</u>
1	11757	Hose - 28" OAL 6FJX90 – 8FJX90	1
2	11758	Hose - 32" OAL 6FJX90 – 8FJX90	1
3	11759	Hose - 28" OAL 6FJX90 – 8FJX90	1
4	11760	Hose - 32" OAL 6FJX90 – 6FJX90	1
5	11761	Hose - 52" OAL 6FJX – 8FJX90	1
6	11762	Hose - 67" OAL 6FJX90 – 8FJX90	1
7	11763	Hose - 32" OAL 6FJX – 8FJX90	1
8	16755	Hose - 25" OAL 6FJX – 8FJX90	1
9	11765	Hose - 20" OAL 6FJX90 – 6FJX	1
10	11766	Hose - 23" OAL 6FJX90 – 6FJX	1
11	10190	Hose - 80" OAL 6FJX – 6FJX	2
12	10195	Hose - 120" OAL 6FJX – 8MP	2
13	11727	Hose - 102" OAL 6FJX90 – 8MP	2
14	11726	Hose - 21" OAL 6FJX45 – 8FJX	2
15	11724	Hose - 17" OAL 6FJX – 8FJX	2
16	11767	Adapter – 6MJ – 6MJBH	2

17	11740	Adapter – 8MB – 6MJ	6
18	10161	Adapter – 8MB – 6MJ	6
19	10187	Adapter – 6MJ – 6MJ90BH	2
20	10188	Adapter – 6MJBH – 6MJT	2
21	11739	Adapter – 10MB – 6MJ	7
22	11768	Adapter – 8FJXR – 8MJT	2
23	10162	Adapter – 6MB – 6MJ	2
24	10561	Adapter – 8MB – 8MJ	1
25	10562	1/32” Orifice – 8MB – 8MJ	1
26	10167	Pioneer Tips	4
27	11742	Splitter	1
28	11743	Diverter	2
29	10045	Hydraulic Beater Motors	2
Not Shown	10048	Seal Kit	1
30	10317 17442	Deflector Hydraulic Cylinder (See Page 18)	1
31	10559	Wing Hydraulic Cylinder	1
32		Fork Hydraulic Cylinder (See Page 15, 16)	2

RIGHT HAND GEARBOX

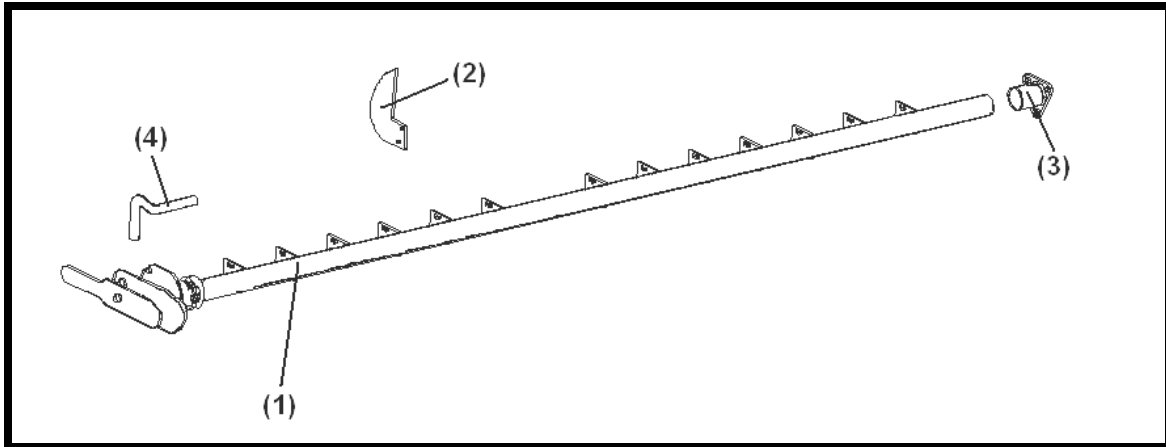


RIGHT HAND GEARBOX

PARTS LIST

<u>Ref#</u>	<u>BMI#</u>	<u>Description</u>	<u>Qty.</u>
	10420	Right Hand Gearbox	1
1	10480	Flange Output Shaft	1
2	10481	Casting	1
3	10482	Output Gear	1
4	10483	Input Gear	1
5	10484	1 3/4" Internal Output Shaft	1
6	10485	1 3/4" Input Shaft	1
7	10486	Output Shaft Flange Shim	1
8	10487	Output Shaft Flange Shim	1
9	10488	Output Shaft Flange Shim	1
10	10489	Output Shaft Cover	1
11	10490	Bolt M8 x 25 x 1.25 cl. 8.8	6
12	10491	Washer 8.2 x 14.8 x 1.6	6
13	10492	Snap Ring	1
14	10493	Snap Ring 1.75 x 2.5	1
15	10494	Shims	1
16	10495	Grease Fitting M8 x 1.25	1
17	10496	Taper Roller Bearing	2
18	10497	Taper Roller Bearing	2
19	10498	Oil Seal 60 x 100 x 10	1
20	10499	Oil Seal 45 x 75 x 10	1
21	10500	Oil Seal 60 x 85 x 10	1
22	10501	Drain Plug	1
23	10502	Breather Plug	1

FINE CHOP OPTION (SIDE MOUNT)



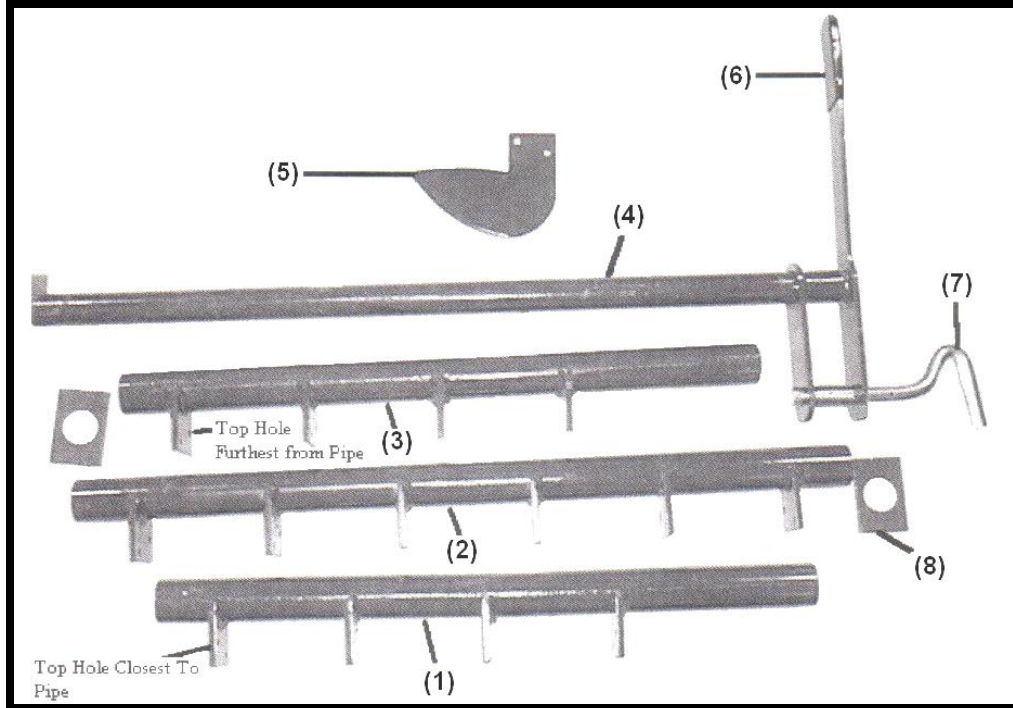
FINE CHOP OPTION (SIDE MOUNT)

PARTS LIST

<u>Ref#</u>	<u>BMI#</u>	<u>Description</u>	<u>Qty.</u>
	GREEN/YELLOW		
	12499 17398	Fine Chop Option (Side Mount)	
1	11771 17409	Handle and Pipe Assembly	1
2	10404	Knife	14
Not Shown	11810	1/4" x 1" NC Bolts	28
Not Shown	15402	1/4" NC Locknut	28
3	13450 17410	Sleeve Bracket	1
Not Shown	13806	3/8" x 1" NC Bolt	7
Not Shown	11818	3/8" Serrated Flange Nut	7
4	10231	Plated Handle	1
Not Shown	10297	Rubber Handle	1
Not Shown	10302	3/16" x 1 1/4" Roll Pin	1
Not Shown	10301	Compression Spring	1
Not Shown	12792	Split Collar	1

MODELS WITH SERIAL # BK3701 AND BELOW

FINE CHOP OPTION (BOTTOM MOUNT)

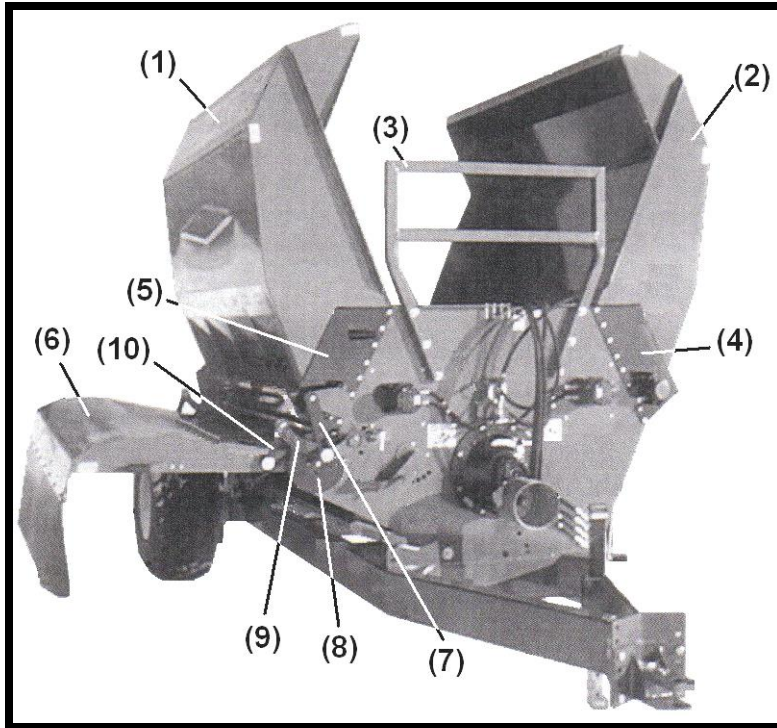


FINE CHOP OPTION (BOTTOM MOUNT)

PARTS LIST

<u>Ref#</u>	<u>BMI#</u>	<u>Description</u>	<u>Qty.</u>
1	10525	End Knife Holder	1
2	10526	Middle Knife Holder	1
3	10527	End Knife Holder	1
4	10523	Handle w/Pipe	1
5	10404	Knife	14
6	10297	Rubber Handle	1
7	10231	Plated Handle	1
Not Shown	10302	3/16" x 1 1/4" Roll Pin	1
8	10524	Rectangular Spacer	2
Not Shown	10301	Compression Spring	1
Not Shown	13806	3/8" x 1" NC Bolt	4
Not Shown	13802	3/8" NC Locknut	4
Not Shown	11810	1/4" x 1" NC Bolt	28
Not Shown	15402	1/4" NC Locknut	28

SPRING ASSISTED DEFLECTOR



SPRING ASSISTED DEFLECTOR

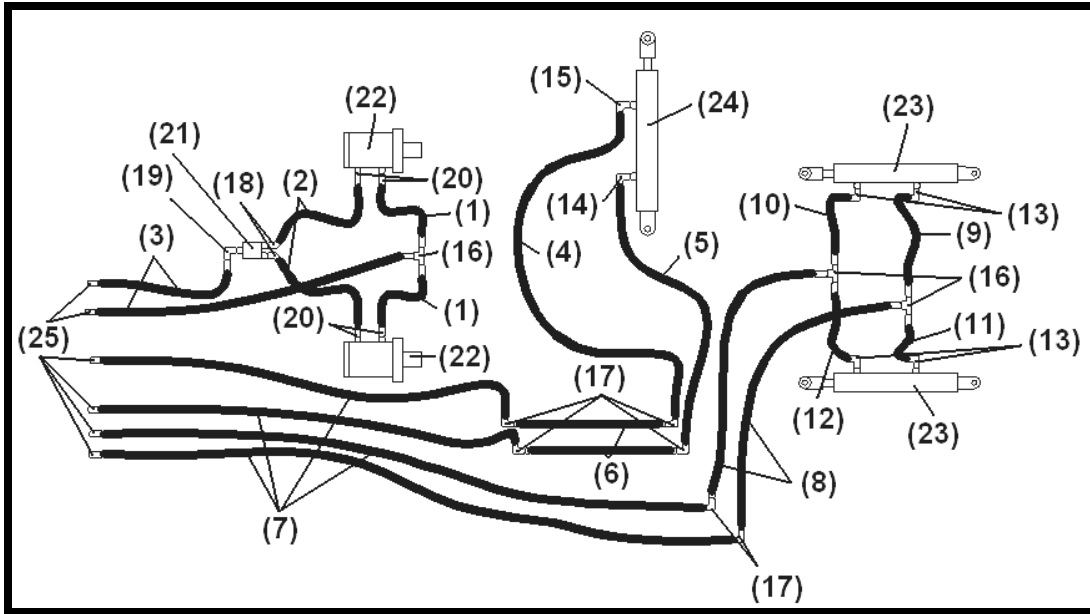
PARTS LIST

<u>Ref#</u>	<u>BMI#</u>	<u>Description</u>	<u>Qty.</u>
1	10588	LH Wing Assembly	1
2	10593	RH Wing Assembly	1
3	10571	Front Rack	1
Not Shown	15396	1/2" x 3" NC Bolt	6
Not Shown	13790	1/2" Flat Washer	6
Not Shown	10278	1/2" Serrated Flange Nut	6
4	10569	Wing Pivot (LH Front & RH Rear)	2
5	10594	Wing Pivot (RH Front w/Cylinder Bracket)	1
Not Shown	10567	Wing Pivot (LH Rear)	1
6	10574	Side Deflector	1
Not Shown	12815	Deflector Mounts	2
Not Shown	13806	3/8" x 1" NC Bolt	6
Not Shown	13772	3/8" Flat Washer	6
Not Shown	11818	3/8" Serrated Flange Nut	6
Not Shown	10296	Flat Rubber Grip	1

Not Shown	10509	Handle Side Deflector	1
Not Shown	13806	3/8" x 1" NC Bolt	2
Not Shown	13802	3/8" Locknut	2
7	10577	Slide Linkage	4
Not Shown	13804	1/2" x 2" NC Bolt	2
Not Shown	14443	1/2" Locknut	2
Not Shown	10239	1/2" Bushing	2
Not Shown	16345	1/2" Fender Washer	2
8	10474	Spring Plate	2
Not Shown	14461	1/2" x 1 1/2" NC Bolt	2
Not Shown	15403	1/2" x 1 3/4" NC Bolt	2
Not Shown	16345	1/2" Fender Washer	2
Not Shown	10239	Bushing 1/2" x 1 1/4"	2
Not Shown	10757	Spring Bushing 9/16"ID x 2"OD x 5/8" thick	2
Not Shown	10507	Spacer 5/8" x 3/4" x 1/2"	2
Not Shown	14443	1/2" NC Locknut	2
Not Shown	10278	1/2" Serrated Flange Nut	2
Not Shown	10466	Spring Rear on RH Machine	1
	10467	Spring on Front on the RH Machine	1
9	10461	Lift Assembly (includes next 3 items)	1
Not Shown	10231	Plated S Handle	1
Not Shown	10301	Compression Spring	1
Not Shown	10302	Roll Pin	1
Not Shown	13806	3/8" x 1" NC Bolt	6
Not Shown	11818	3/8" Serrated Flange Nut	6
10	10583	Linkage, Main Deflector	2
Not Shown	10587	Spring Guide	2
Not Shown	14461	1/2" x 1 1/2" NC Bolt	2
Not Shown	10278	1/2" Serrated Flange Nut	2
Not Shown	16345	1/2" Fender Washer	4
Not Shown	10239	Bushing 1/2" x 1 1/4"	4

*** Replaces items 2 – 5, 6 – 7, 9 – 17 on Bale King, upto Serial #BK3702 in External Parts and Controls section**

HYDRAULIC SCHEMATICS



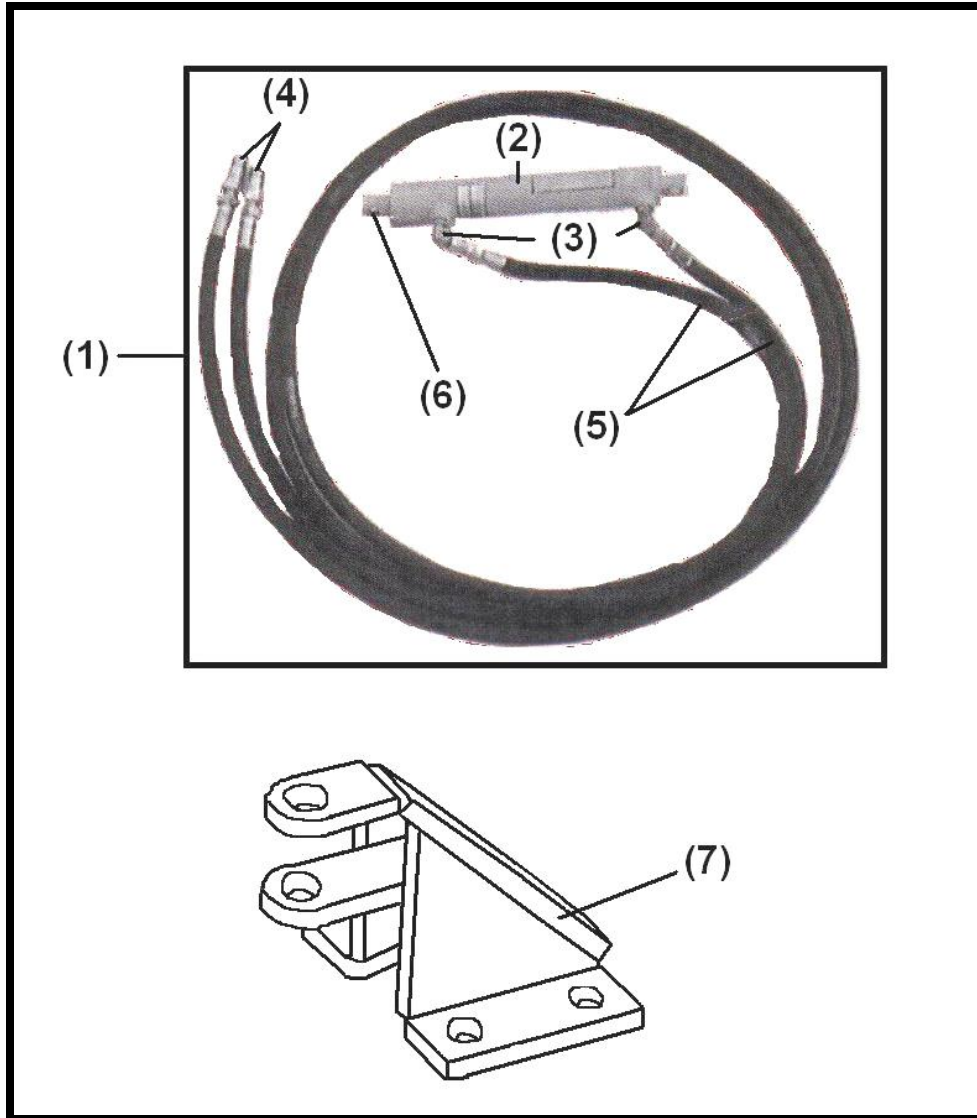
HYDRAULIC SCHEMATICS

PARTS LIST

<u>Ref#</u>	<u>BMI#</u>	<u>Description</u>	<u>Qty.</u>
1	10197	Hose - 21" OAL 6FJX – 8FJX	2
2	10198	Hose - 18" OAL 6FJX – 8FJX	2
3	10196	Hose - 102" OAL 6FJX – 8MP	2
4	10563	Hose - 48" OAL 6FJX – 8FJX90	1
5	10564	Hose - 54" OAL 6FJX – 8FJX90	1
6	10190	Hose - 80" OAL 6FJX – 6FJX	2
7	10195	Hose - 120" OAL 6FJX – 8MP	4
8	10335	Hose - 82" OAL 6FJX – 6FJX	2
9	10557	Hose - 21" OAL 6FJX – 6FJX	1
10	10560	Hose - 41" OAL 6FJX – 6FJX	1
11	10334	Hose - 52" OAL 6FJX – 6FJX	1
12	10558	Hose - 70" OAL 6FJX – 6FJX	1
13	10020	Adapter – 8MB – 6MJ90	4
14	10562	Adapter – 8MJ – 8MB 1/32" Orifice	1
15	10561	Adapter – 8MJ – 8MB	1
16	10188	Adapter – 6MJBH – 6MJT	3
17	10161	Adapter – 10MB – 8MJ	6
18	10199	Adapter – 8MB – 6MJ45	2
19	10020	Adapter – 8MB – 6MJ90	1

20	10161	Adapter – 10MB – 8MJ	4
21	11742	Splitter	1
22	10045	Hydraulic Beater Motors	2
Not Shown	10048	Seal Kit	1
23		Fork Hydraulic Cylinder (See Page 15, 16)	2
24	10559	Wing Hydraulic Cylinder (See Page 17)	1
25	10167 17379	Pioneer Tips	6

OPTIONAL ATTACHMENTS



OPTIONAL ATTACHMENTS

PARTS LIST

<u>Ref#</u>	<u>BMI#</u>	<u>Description</u>	<u>Qty.</u>
	GREEN/YELLOW		
1	10316	Hydraulic Lift Attachment	1
2	10317 17442	Hydraulic Cylinder Assembly (See Page 18)	1
Not Shown	10318 17613	Seal Kit	1
3	10201	Adaptor – 6MB – 6MJ90	2
4	10167 17379	Pioneer Male Tips	2

5	10320	Hose – 120”	2
6	15396	1/2” x 3” NC Bolt	1
Not Shown	10239	1/2” x 1 1/4” Plated Bushing	2
Not Shown	13804	1/2” x 2” NC Bolt	1
Not Shown	14443	1/2” NC Locknut	2
7	10516	Bracket Hydraulic and Electric Lift	1
Not Shown	13806	3/8” x 1” NC Bolt	4
Not Shown	13802	3/8” NC Locknut	4