



# BRIDGEVIEW



## ***BALE KING 7400*** ***Bale Processor***

### ***Delivery Set-up Instructions***

Last Updated: September 2024

**Bridgeview Manufacturing Inc.**

P.O. Box 4

Gerald, Saskatchewan, Canada

S0A 1B0

Phone: 1-306-745-2711

Fax: 1-306-745-3364

Email: [bmi@sasktel.net](mailto:bmi@sasktel.net)

[www.bridgeviewmanufacturing.com](http://www.bridgeviewmanufacturing.com)



When your new Bale King 7400 arrives by truck, there are a few things that must be done before it is ready for use. This manual will offer step-by-step instructions. Some steps may already be done by factory.

### 1. Remove loose components from inside the tub

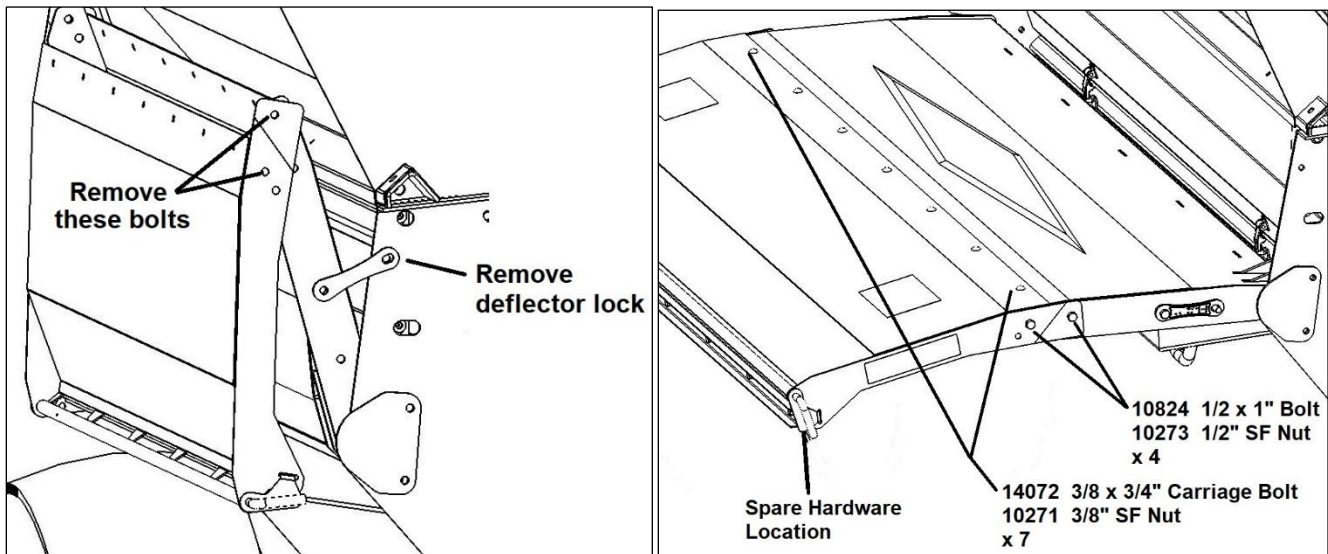
- Fork Tines (x 2)
- PTO Shaft Tractor Half
- SMV Sign
- Control Box (if equipped)
- Back-up Camera Monitor Kit (if equipped)

### 2. Unfold side deflector

- Remove safety lock from the inner deflector to the tub panel
- Remove outer deflector by removing the two bolts connecting the deflector halves
- Lower the deflector using the hydraulics

**WARNING: DO NOT LOWER THE DEFLECTOR UNTIL UNFOLDED. IT WILL HIT THE TIRE**

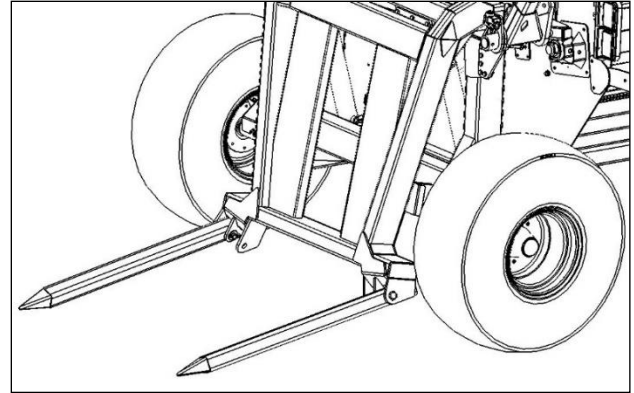
- Install the outer deflector as shown, reusing the removed bolts, plus additional bolts which are bagged and wrapped around the deflector rubber handle





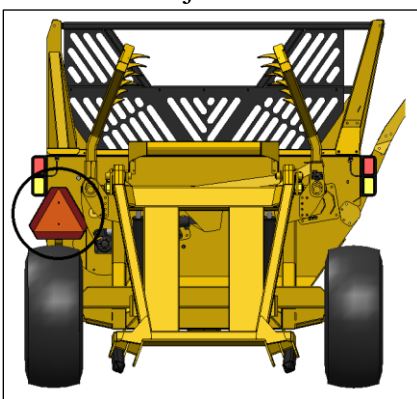
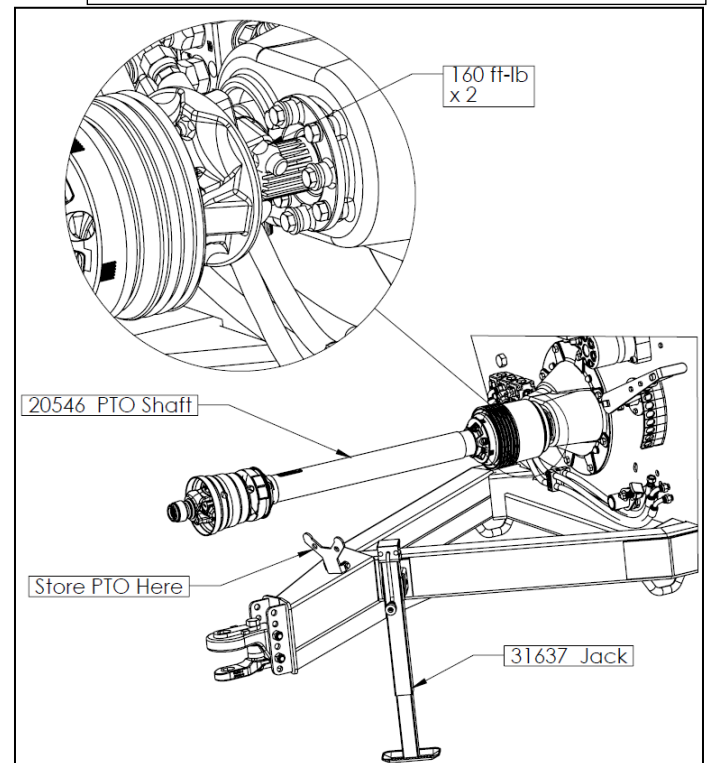
### 3. Install rear forks tines

- Lower the rear forks using the “blue” marked hydraulic lines. Leave 1 ft or so off the ground.
- Install the fork tines as shown. Reuse the hardware installed in the forks, and place the tines in the outer position.
- Lift the fork back up so the machine can be moved around.



### 4. Install PTO shaft and Jack

- Unsnap the PTO boot guard from the ring
- Install the PTO shaft through the guard and over the spline of the gearbox. Remove the two 5/8” bolts running through the coupler, then slide onto the shaft until the bolt holes line up with the groove. Tighten these bolts to 160 ft-lb.
- Snap the shield back into place
- Slide the outer PTO shaft into the inner shaft if required. Align the spot weld on the spline with the missing tooth on the receiver
- Rest PTO shaft on the storage bracket
- Relocate the jack

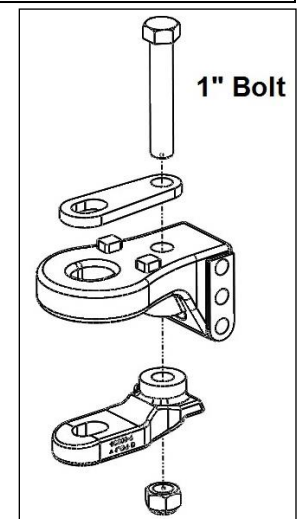


### 6. Install SMV sign

- Relocate to position on the rear tub above the tire as shown.

### 5. Install Clevis Option (if equipped)

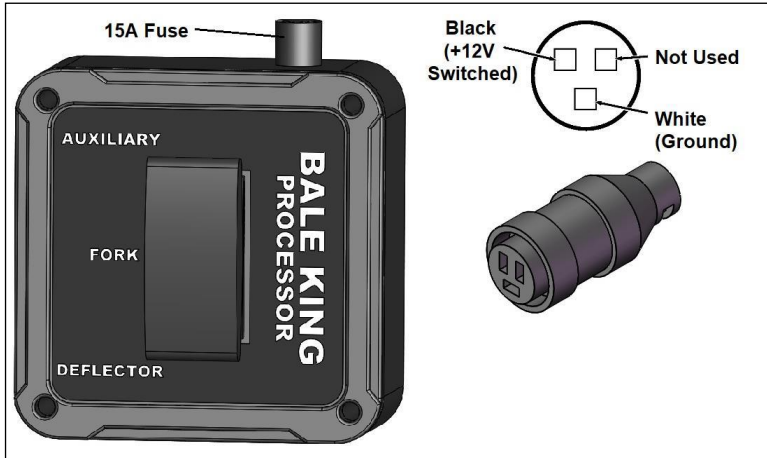
- If the operating tractor does not have a hammer strap it is recommended to install this clevis. Otherwise, it is not recommended.





### 7. Install control box (if equipped)

- If a diverter kit is provided to decrease the number of hoses required to be plugged into the tractor, make sure that the control box is provided, and wired into the tractor.



- The box can be mounted inside the cab in a suitable location. It is powered with a 3-pin auxiliary plug found in most modern tractors. If this is not available, the plug can be removed and the box wired as required. White wire to ground, black wire to a switched positive power.

- The 4-pin plug can be wired to the back of the machine and mounted in a suitable location for easily plugging into the corresponding plug on the processor.

### 8. Install back-up camera monitor (if equipped)

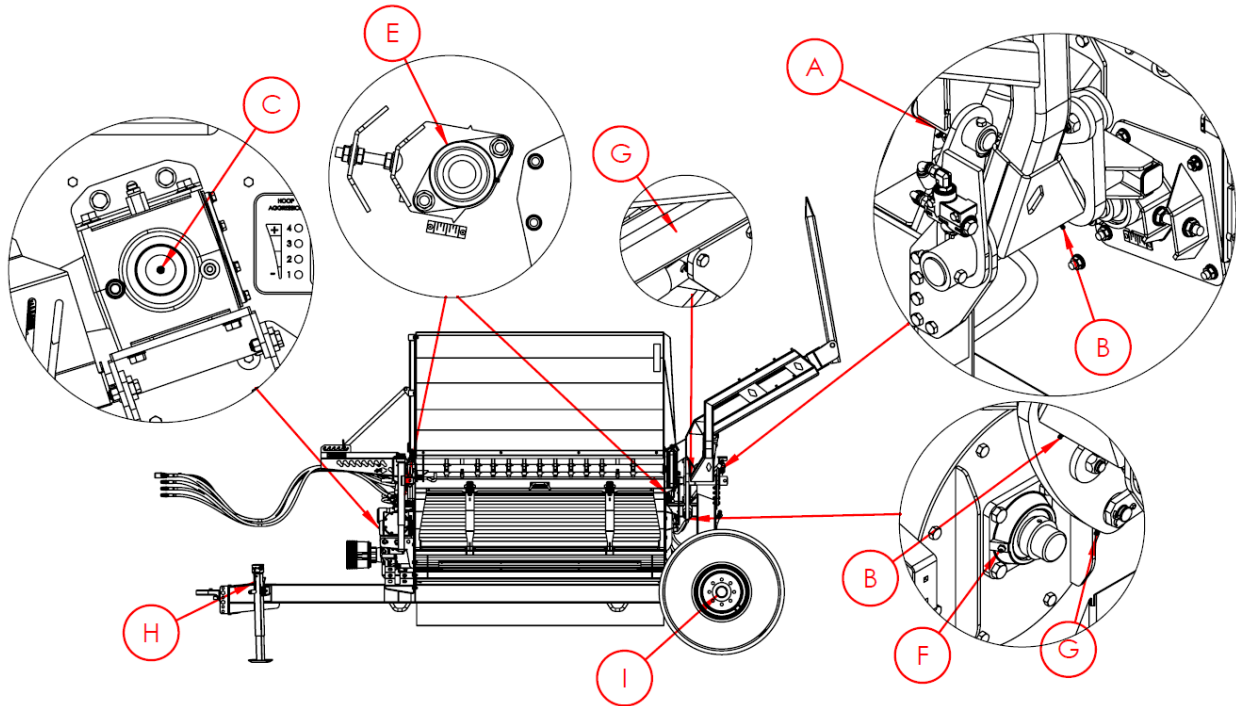
- If provided with an optional back-up camera kit, follow the instructions in the provided back-up camera package to install the monitor inside the tractor cab. If the camera and wire are not already installed, follow the instructions provided in the box to install these as well.



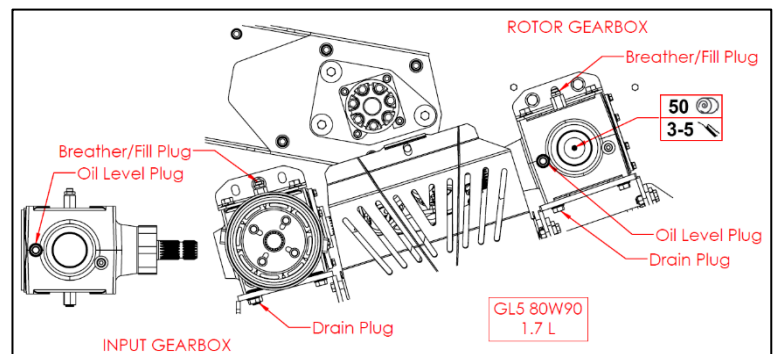


## 9. Final inspection

- Before operation, the machine should be checked over for any loose hardware, etc.
- All grease fittings should be checked for accepting grease



- The gearboxes require GL5 80W90 gear oil. The oil should be filled to the sight glass level plug. Ensure the breathers are installed and clear of obstruction.

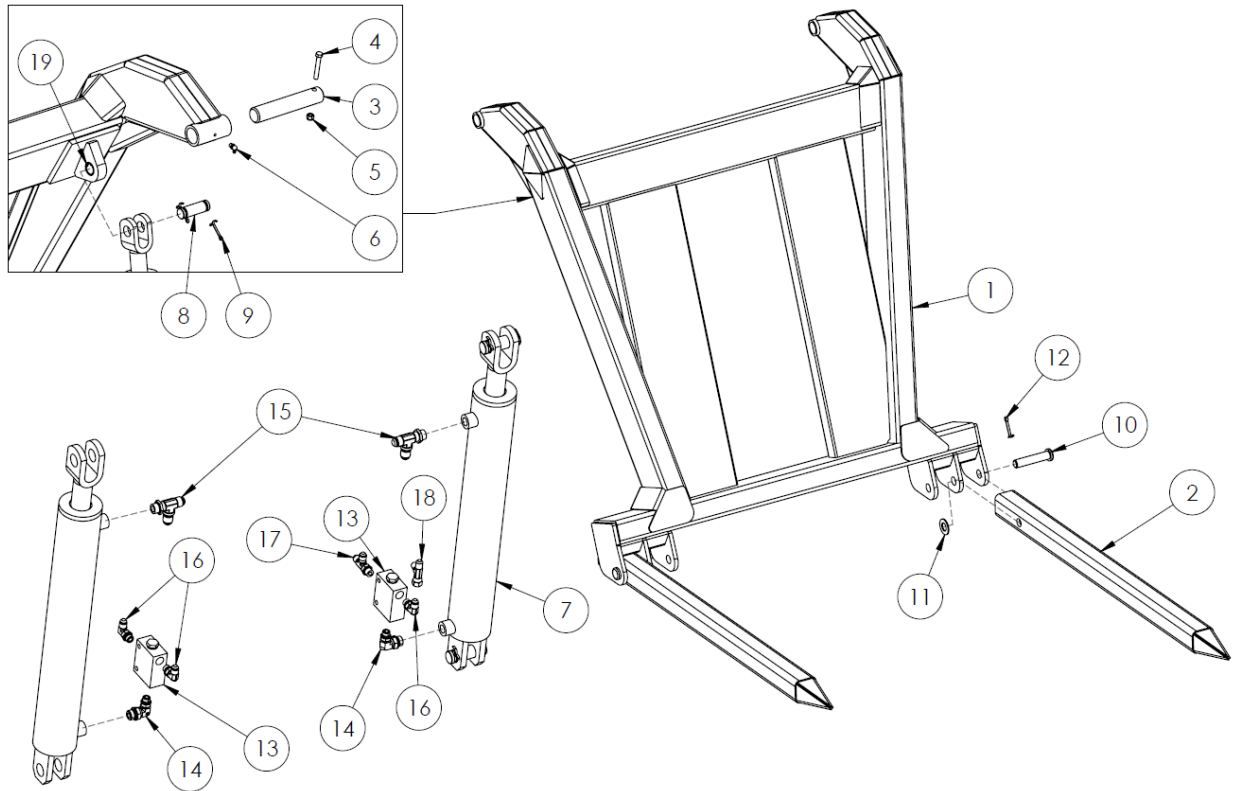


- Check the functionality of the hydraulics as equipped:
  - Rear fork lifts up and down
  - Discharge deflector lifts up and down
  - Chain and slats move both ways
  - Three bale clamp arms open and close together
- Connect the PTO shaft and spin the rotor up to PTO RPM. Check for any excessive vibrations and noises.

**\* MAKE SURE THAT THE TUB IS COMPLETELY EMPTY BEFORE RUNNING THE ROTOR. KEEP THE DISCHARGE AREA CLEAR AND LOWER THE DEFLECTOR AND DEFLECTOR RUBBER FULLY TO LIMIT AIR FLOW BEYOND THE TESTING AREA. \***



**Addendum: Install Rear Fork (if necessary)**



	Description	ID #	QTY	Location	Initial
1	Rear Fork Frame	33759	1	Tub	
2	Fork Tine	22421	2	Tub	
3	Fork Pivot Pin	22006	2	Installed	
4	Bolt, 3/8 x 2-1/2"	26307	2	Installed	
5	Nut, 3/8" Nylon Lock	10806	2	Installed	
6	Grease Zerk, 1/4" x 90°	16389	2	Installed	
7	Hydraulic Cylinder, 3 x 18 x 1.5"	21717	2	Installed	
8	Cylinder Pin, 1 x 3-1/2"	10339	4	Installed	
9	Cotter Pin, 3/16 x 1-1/2"	10072	8	Installed	
10	Tine Pin	10031	2	Installed	
11	Washer, 1" Flat	14472	2	Installed	
12	Cotter Pin, 1/4 x 2"	10580	2	Installed	
13	Hydraulic Check Valve	19114	2	Installed	
14	Hyd. Fitting, 8MB-6MB90	33739	2	Installed	
15	Hyd. Fitting, 8MBR-8MJT	22159	2	Installed	
16	Hyd. Fitting, 6MB-6MJ90	10201	3	Installed	
17	Hyd. Fitting, 6MBR-6MJT	23726	1	Installed	
18	Hyd. Fitting, 6FJXR-6MJT	15760	1	Installed	
19	Bushing Insert	23708	4	Installed	