

# **PARTS MANUAL**

## ***BALE KING***

### ***AVENGER 2881***



# **BRIDGEVIEW**

*Revised on May 2022*

**MANUFACTURED BY:** BRIDGEVIEW MANUFACTURING INC.

P.O. BOX 4

GERALD, SASK. CANADA

S0A 1B0

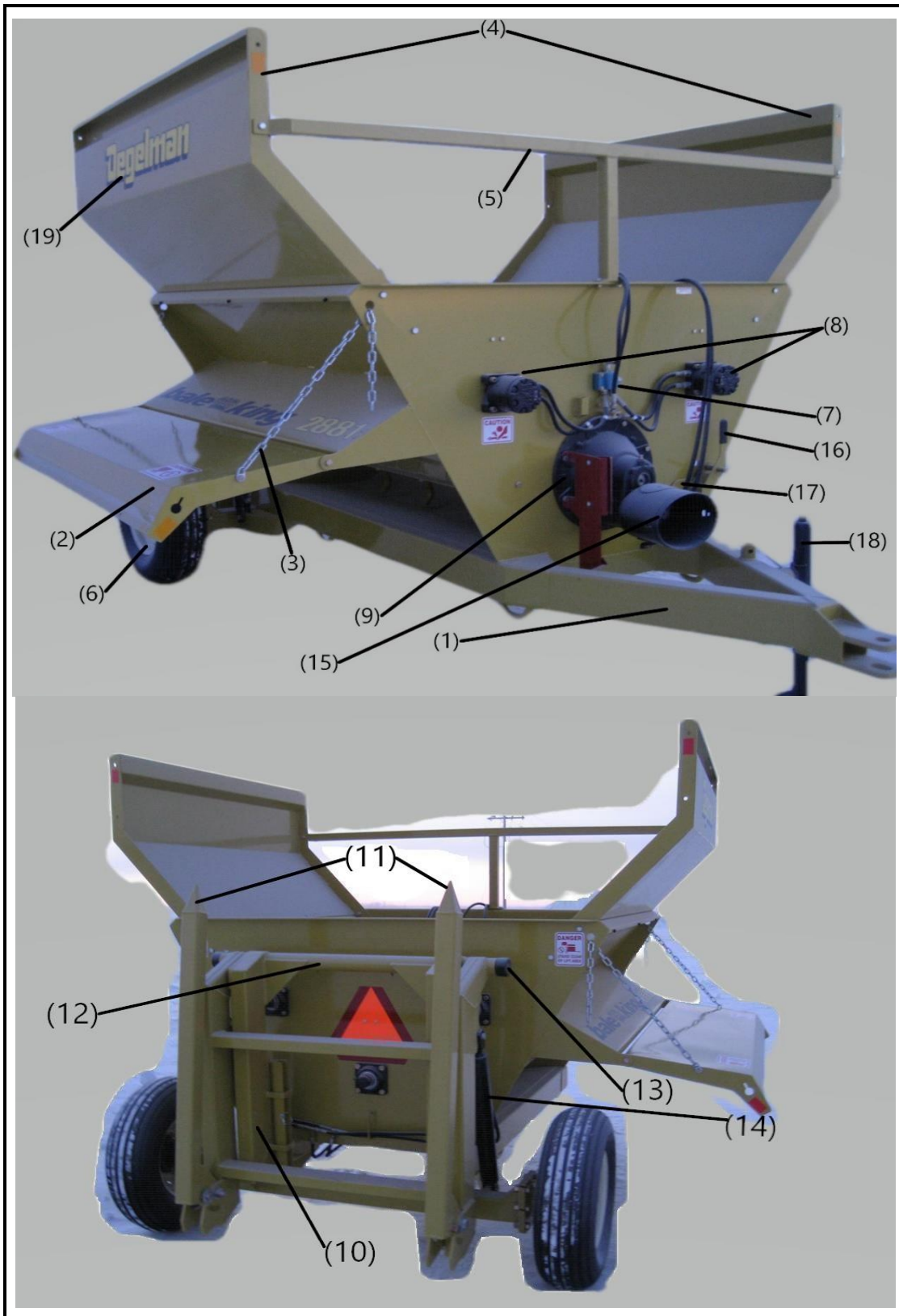
*PHONE:* (306) 745-2711

*FAX:* (306) 745-3364

# ***TABLE OF CONTENTS***

<b>EXTERNAL PARTS AND CONTROLS</b> .....	1
<b>EXTERNAL PARTS AND CONTROLS</b> .....	2
<b>HUB ASSEMBLY</b> .....	4
<b>Axle Repair Kit</b> .....	5
<b>Axle Repair Kit</b> .....	5
<b>PTO ASSEMBLY (BONDIOLI)</b> .....	6
<b>PTO ASSEMBLY (BONDIOLI)</b> .....	7
<b>PTO ASSEMBLY (WALTERSCHEID)</b> .....	8
<b>PTO ASSEMBLY (WALTERSCHEID)</b> .....	9
<b><i>INNER TUB PARTS</i></b> .....	10
<b>INNER TUB PARTS LIST</b> .....	11
<b>HYDRAULIC CYLINDER (RAM INDUSTRIES)</b> .....	13
<b>HYDRAULIC SCHEMATICS</b> .....	14
<b>RIGHT HAND GEARBOX</b> .....	16

# EXTERNAL PARTS AND CONTROLS



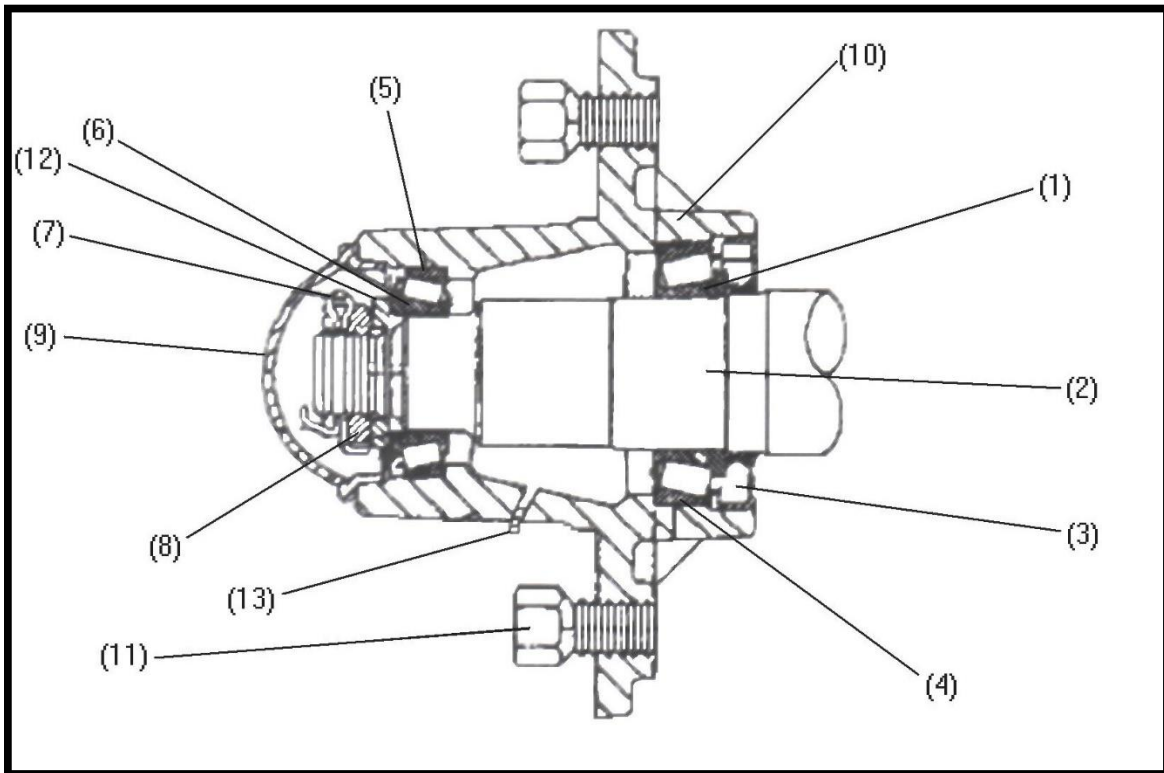
## EXTERNAL PARTS AND CONTROLS

### PARTS LIST

<u>Ref#</u>	<u>BMI#</u>	<u>Description</u>	<u>Qty.</u>
	<b>YELLOW</b>		
1	17695	Frame/Tub Assembly	1
2	15432	Deflector	1
3	14636	Plated Chain	2
Not Shown	14461	1/2" x 1 1/2" NC Bolt	2
Not Shown	14443	1/2" NC Locknut	2
Not Shown	13790	1/2" Flat Washer	2
Not Shown	13768	3/8" x 1 1/4" NC Bolt	2
Not Shown	13802	3/8" NC Locknut	2
Not Shown	13772	3/8" Flat Washer	2
Not Shown	10239	Main Deflector Bushing	2
4	16628	Top Rack	2
Not Shown	14460	1/2" x 1" NC Bolt	8
Not Shown	10278	1/2" NC Serrated Flange Nut	8
Not Shown	10807	3/8" x 3/4" Fin Bolt	8
Not Shown	11818	3/8" NC Serrated Flange Nut	8
5	16629	Front Rack	1
Not Shown	14460	1/2" x 1" NC Bolt	4
Not Shown	10278	1/2" NC Serrated Flange Nut	4
6	11124	Tire Assembly 11L with 6 bolt rim WHITE / 8 ply rib impl.	2
Not Shown	10077	11L-15 Tire (Optional)	2
Not Shown	10287	8" x 15" 6 Bolt Rim (Yellow)	2
7	11742	Flow Divider/Combiner (See Page 13)	1
Not Shown	13761	1/4" x 2" NC Bolt	2
Not Shown	15402	1/4" NC Locknut	2
Not Shown	13763	1/4" Flat Washer	2
8	10045	Hydraulic Beater Motors (See Page 9)	2
9	10742	PTO Holder Mount	1
Not Shown	14460	1/2" x 1" NC Bolt	8
Not Shown	10278	1/2" NC Serrated Flange Nut	8
Not Shown	16625 17589	PTO and Hose Support	1
10	16627	Fork Frame	1
11	16630	Fork Tines	2
12	16624	Pivot Pipe	1
Not Shown	15397	1/2" x 3 3/4" NC Bolt	1
Not Shown	14443	1/2" NC Locknut	1
Not Shown	10280	1/4" Grease Zerk	2
13	10504	End Cap	2
Not Shown	10580	1/4" x 2" Cotter Pin	8
Not Shown	15431	1" x 5" NC Bolt	4

Not Shown	15436	1" NC Locknut	4
Not Shown	16638	Hose Clip, PTO holder	1
Not Shown	16641	Hose Clip, Frame	1
Not Shown	13802	3/8" NC Locknut	2
14		Fork Hydraulic (See Pages 12 - 13)	
Not Shown	10339	Butt End Cylinder Pin	2
Not Shown	10341	Ram End Cylinder Pin	2
Not Shown	16640	Cylinder Safety Lock	1
Not Shown	12050	PTO Clip, Safety Lock	1
15	14539	Safety Counter Cone (plastic 9")	1
16	10297	Handle Black Flat Rubber Fits 1/4 X 1-1/4 FLATBAR	1
17	11784	Adjuster - S Handle plated	1
Not Shown	10301	Compression Spring	1
Not Shown	10302	3/16" x 1 1/4" Roll Pin	1
18	14408	Telescoping Jack	1
Not Shown	11785	Jack Pin (w/ hairpin)	1
Not Shown		PTO (See Pages 5 – 8)	
19		Avenger Decal Kit	1
Not Shown		Safety Decals:	
	12229	Decal Stand Clear of Lift 4 1/2in x 5 1/2 in	2
	12230	Decal Side Discharge	4
	12219	Decal PTO DANGER	2
	12228	SMV	1
	13324	Decal Red Reflective Diamond Grade (2 1/2in long x 1 1/2)	3
	13325	Decal Amber Reflective Diamond Grade (2 1/2in long x 1 1/2)	3

## HUB ASSEMBLY

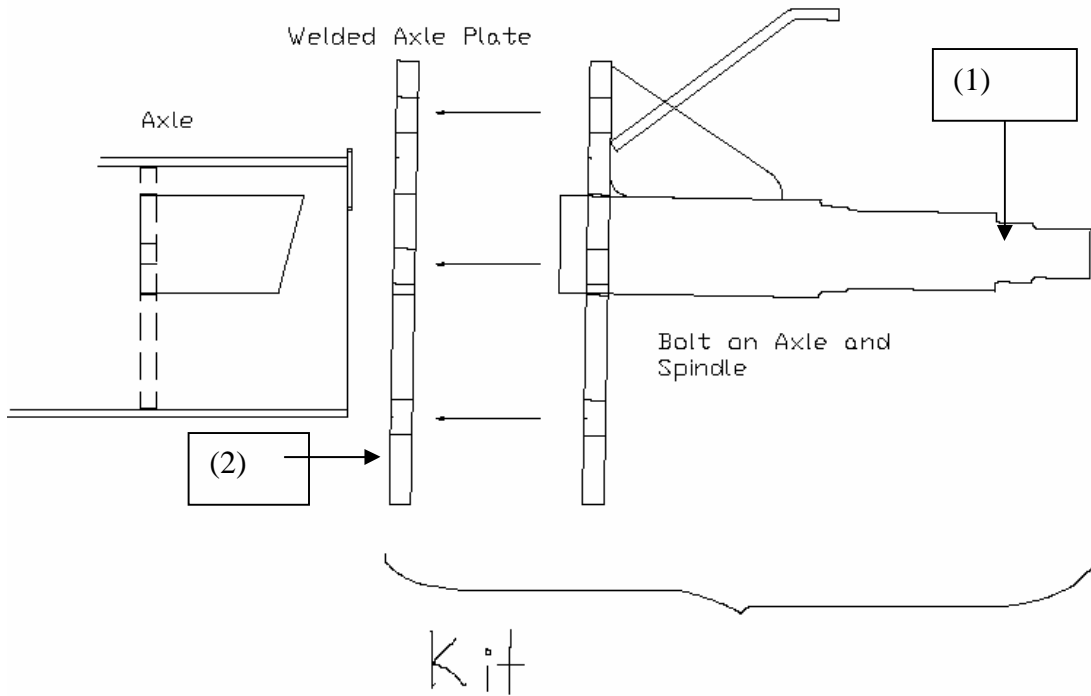


**NOTE: Axle Repair Kit on Next Page**  
**HUB ASSEMBLY**

### PARTS LIST

<u>Ref#</u>	<u>BMI#</u>	<u>Description</u>	<u>Qty.</u>
1	10067	Inside Cone	2
2	10065	Spindle w/nut	2
3	10066	Dirt Seal	2
4	10068	Inside Cup	2
5	10070	Outside Cup	2
6	10069	Outside Cone	2
7	10072	3/16" x 1 1/2" Cotter Pin	2
8	10153	Castle Nut	2
9	10073	Dust Cap	2
10	10074	Hub w/Grease Zerk	2
11	10075	Wheel Stud	12
12	10071	Washer	2
13	10280	1/4" Grease Zerk	2

## Axle Repair Kit

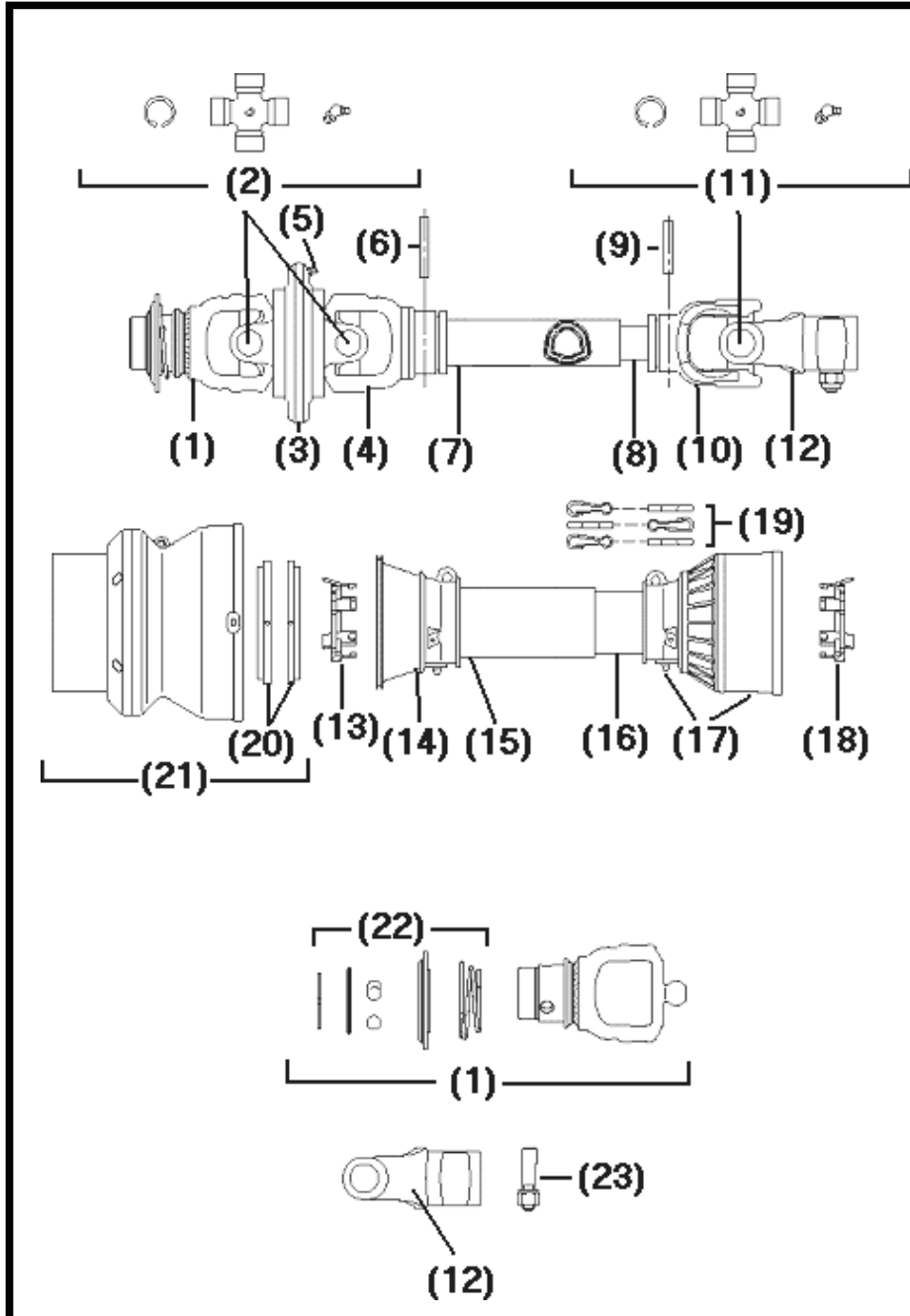


## Axle Repair Kit

### PARTS LIST

<u>Ref#</u>	<u>BMI#</u>	<u>Description</u>	<u>Qty.</u>
Kit	17647	Axle repair kit spindle	1
1	17648	spindle assembly	1
2	N/A	weldment plate	1
Not Shown	17665	Gusset	1
Not Shown	13800	bolt $\frac{3}{4}$ x 2 NC	6
Not Shown	12455	Nut $\frac{3}{4}$ NC	6
Not Shown	13795	Lock Washer $\frac{3}{4}$	6

## PTO ASSEMBLY (BONDIOLI)





# PTO ASSEMBLY (BONDIOLI)

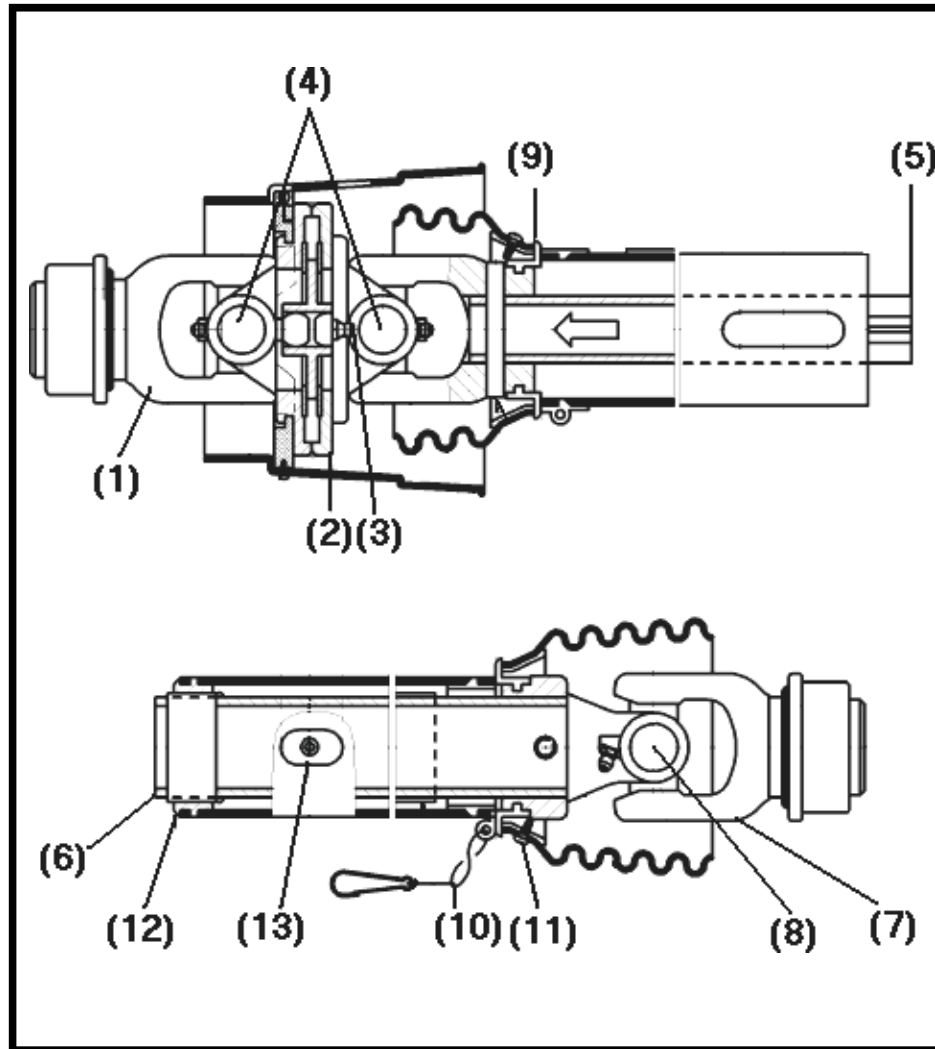
## PARTS LIST

<u>Ref#</u>	<u>BMI#</u>	<u>Description</u>	<u>Qty.</u>
	YELLOW		
	14540	Complete PTO Assembly	
1	16041	Yoke 1 3/8" 21 Spline	1
2	16042	U-Joint Cross Kit	2
3	16043	Central Body CV Joint	1
4	16044	Yoke	1
5	10121	Grease Zerk	1
6	16046	Roll Pin	1
7	16047	Cardan Tube Outer	1
8	16048	Cardan Tube Inner	1
9	16049	Roll Pin	1
10	16050	Inner Tube Yoke	1
11	16051	U-Joint Cross Kit	1
12	16052	Yoke	1
13	16053	Bearing Shield	1
14	16054	Safety Cone	1
15	16055	Safety Tube Outer	1
16	16056	Safety Tube Inner	1
17	16057	I Cone Shield Cones	1
18	16058	Shield Bearing	1
19	10419	Shield Chain	3
20	16059	CV Shield Bearing	1
21	16060	CV Shield W / Bearing	1
22	16061	Ball Collar Kit	1
23	16062	Pin	1

### NOTE:

**Bondioli:** Identified by *Cone Shaped* Shield on machine end

**PTO ASSEMBLY (WALTERSCHEID)  
2381 SERIES**

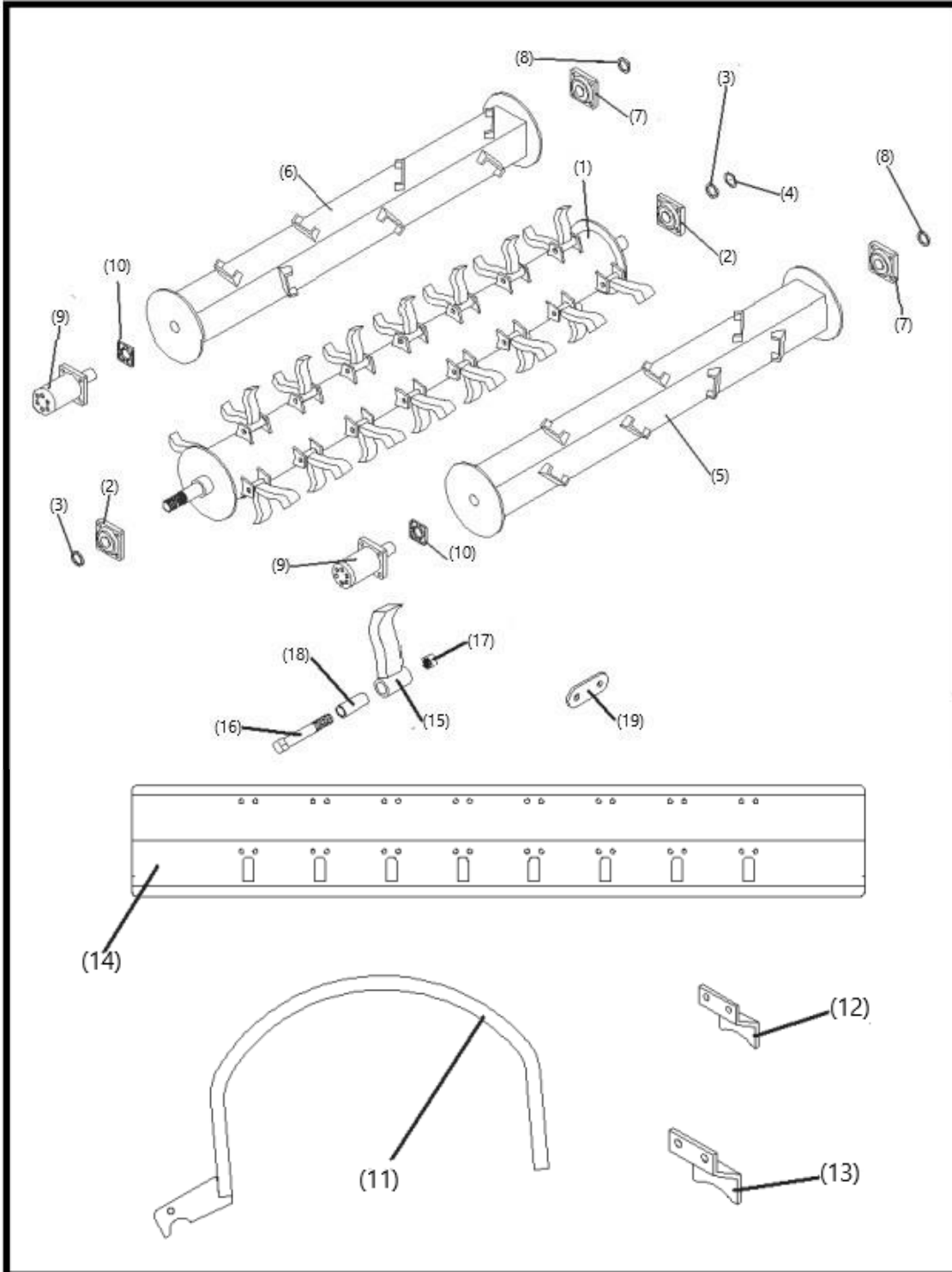


## PTO ASSEMBLY (WALTERSCHEID)

### PARTS LIST

<u>Ref#</u>	<u>BMI#</u>	<u>Description</u>	<u>Qty.</u>
	15598	Complete PTO Assembly	
1	15990	Yoke 1 3/8" - 21 SPL. ASG	1
2	15992	Double Yoke	1
3	10089	Zerk - In Item 2	1
4	15991	Cross and Bearing Kit	2
5	15996	Inner Profile 1bGA	1
6	15995	Profile and Sleeve W.A.	1
7	15994	Yoke 1 3/4" - 20 SPL. ASG	1
8	15993	Cross and Bearing Kit	1
9	10099	Bearing and Ring SC25	2
10	10105	Safety Chain	1
11	10108	Screw in Items 15, 16, 17	8
12	10109	Support Bearing	1
13	10110	Zerk - In Item 8	1
Not Shown	10113	ASG Col. Kit - In Item 1	1

### INNER TUB PARTS



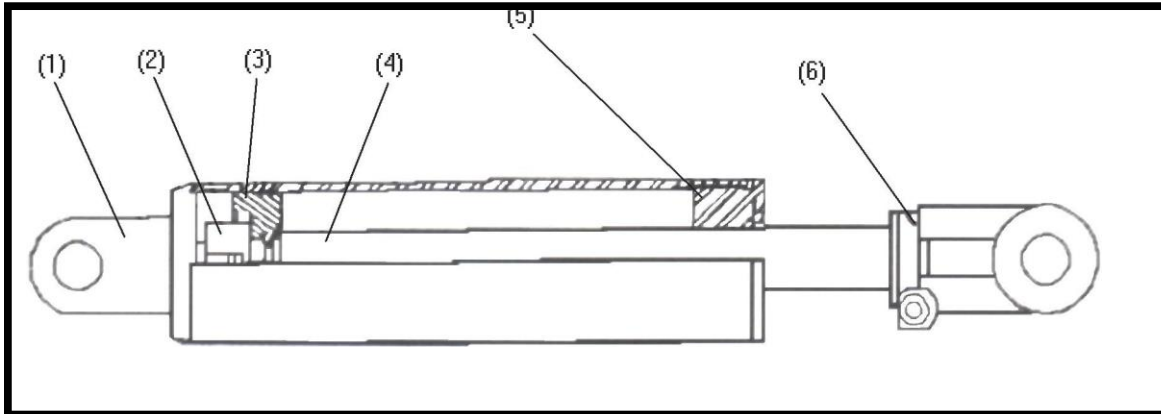
## INNER TUB PARTS LIST

### PARTS LIST

<u>Ref#</u>	<u>BMI#</u>	<u>Description</u>	<u>Qty.</u>
1	17037	Rotor	1
2	10221	Bearing Assembly 1 15/16 w/ block	
3	10268	1 15/16" Lock Collar	2
4	10227	Split Collar (Back of Rotor)	1
Not Shown	14649	5/8" x 2 1/2" NF Gr. 8 Bolt	4
Not Shown	10274	5/8" x 1 3/4" NF Gr. 8 Bolt	4
Not Shown	15599	5/8" NF Gr. 8 Nut	8
Not Shown	15608	5/8" Washer	8
Not Shown	15398	5/8" Flange Locknut	4
Not Shown	10270	1/8" NPT Grease Zerk	2
5	15611	Beater (Discharge Side)	1
6	15804	Beater (Non-Discharge Side)	1
7	10038	1 3/4" Bearings (Beaters)	2
8	10040	1 3/4" Lock Collar	
9	10045	Hydraulic Beater Motors	2
Not Shown	10048	Hydraulic Beater Motor Seal Kit	
Not Shown	10172	1/2" x 2 1/2" NC Socket Head Bolt	8
Not Shown	14461	1/2" x 1 1/2" NC Bolt	8
Not Shown	10183	1/2" High Collar Lock Washer	8
Not Shown	10278	1/2" NC Serrated Flange Nut	16
Not Shown	10270	1/8" NPT Grease Zerk	2
10	10021	Coupler Assembly	
11	15610	Hoop	8
Not Shown	16531	3/8" x 2" NC U-Bolt	16
Not Shown	11818	3/8" NC Serrated Flange Nut	32
12	17876	Twine Guard (Beater)	2
13	17883	Twine Guard (Rotor)	1
Not Shown	13806	3/8" x 1" NC Bolt	10
Not Shown	13768	3/8" x 1 1/4" NC Bolt	2
Not Shown	11818	3/8" NC Serrated Flange Nut	12
Not Shown	15715	Twine Guard Shim (14 Ga.)	Use as Required
Not Shown	15716	Twine Guard Shim (12 Ga.)	Use as Required
14	15386	Charging Panel	1
Not Shown	14461	1/2" x 1 1/2" NC Bolt	2
Not Shown	14443	1/2" NC Locknut	2
Not Shown	16345	1/2" Fender Washer	2
Not Shown	10239	Charging Panel Bushing	2

<b>15</b>	<b>17460</b>	<b>Flails (Replace in Pairs)</b>	<b>18</b>
<b>16</b>	<b>10443</b>	<b>Shoulder Bolt</b>	<b>18</b>
<b>17</b>	<b>10007</b>	<b>3/4" NC Locknut</b>	<b>18</b>
<b>18</b>	<b>10005</b>	<b>Flail Bushing</b>	<b>18</b>
Not Shown	<b>17697</b>	<b>Hoop Adjustment Pivot Pipe</b>	<b>1</b>
Not Shown	<b>13806</b>	<b>3/8" x 1" NC Bolt</b>	<b>2</b>
Not Shown	<b>11818</b>	<b>3/8" NC Serrated Flange Nut</b>	<b>2</b>
Not Shown	<b>16634</b>	<b>Hoop Manifold</b>	<b>1</b>
Not Shown	<b>13806</b>	<b>3/8" x 1" NC Bolt</b>	<b>8</b>
Not Shown	<b>13802</b>	<b>3/8" NC Locknut</b>	<b>8</b>
<b>19</b>	<b>16637</b>	<b>Cam Link</b>	<b>3</b>
Not Shown	<b>10175</b>	<b>1/2" x 1 1/4" NC Bolt</b>	<b>6</b>
Not Shown	<b>14443</b>	<b>1/2" NC Locknut</b>	<b>6</b>

## HYDRAULIC CYLINDER (RAM INDUSTRIES)

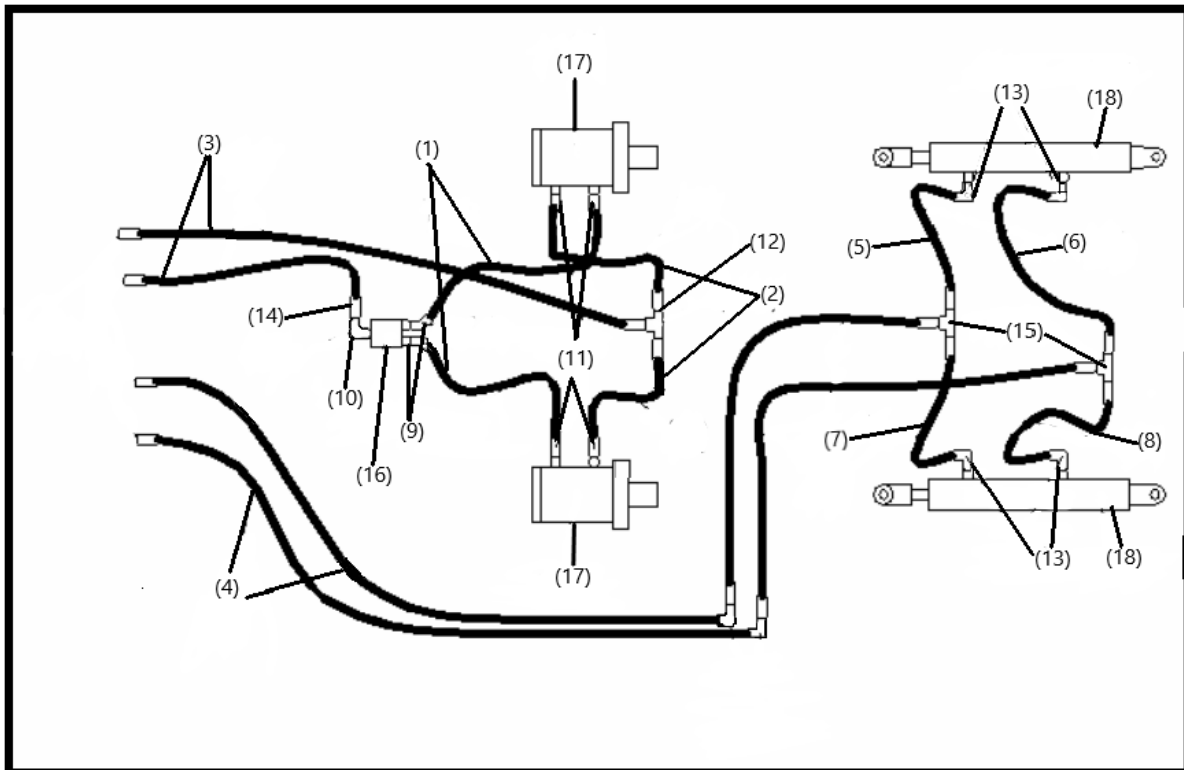


## HYDRAULIC CYLINDER (RAM INDUSTRIES)

### PARTS LIST

<u>Ref#</u>	<u>BMI#</u>	<u>Description</u>	<u>Qty.</u>
	10517	Hydraulic Cylinder Assembly	
1	10522	Barrel Assembly w/Clevis	1
2	10062	Lock Nut Piston Rod	1
3	10519	Piston 2.5" Dia.	1
4	10058	Cylinder Shaft	1
5	10060	Gland	1
6	10061	Clevis	1
Not Shown	10521	Seal Kit	1

## HYDRAULIC SCHEMATICS



## HYDRAULIC SCHEMATICS

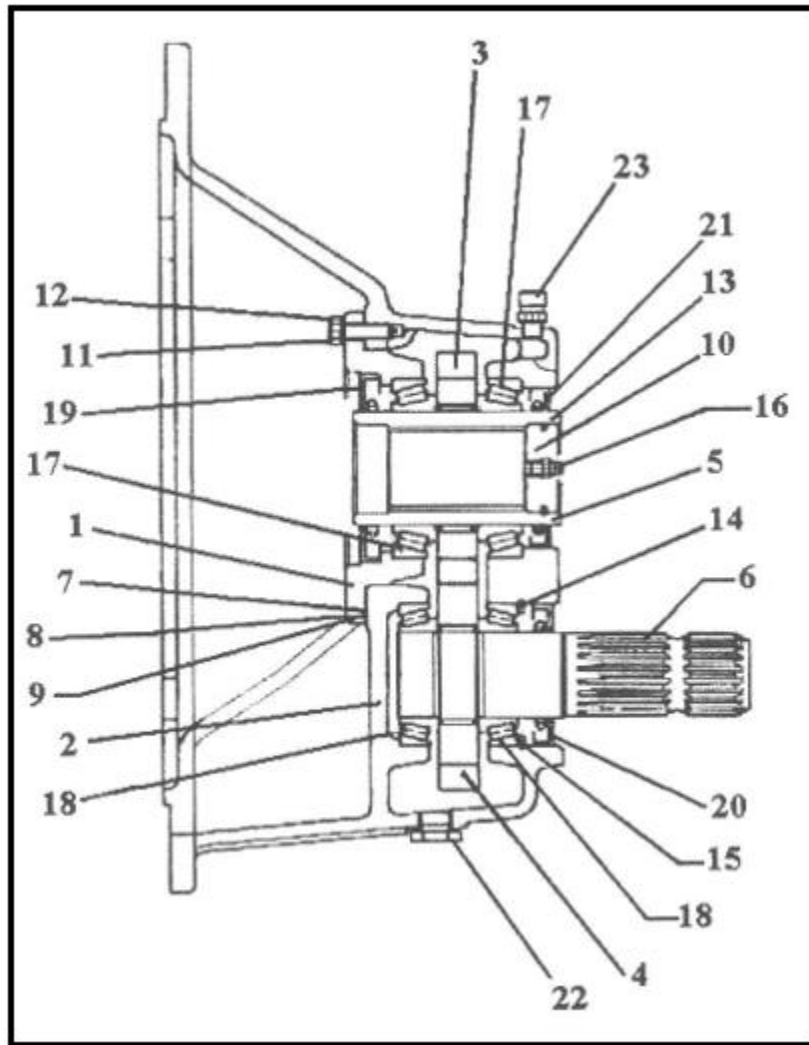
### PARTS LIST

<u>Ref#</u>	<u>BMI#</u>	<u>Description</u>	<u>Qty.</u>
	<b>YELLOW</b>		
1	16663	Hose - 21" OAL 6FJX - 8FJX	2
2	16664	Hose - 18" OAL 6FJX - 8FJX	2
3	16665	Hose - 84" OAL 6FJX - 8MP	2
4	16653	Hose - 182" OAL 6FJX - 8MP	2
5	16654	Hose - 26" OAL 6FJX - 6FJX	1
6	16655	Hose - 12" OAL 6FJX - 6FJX	1
7	16656	Hose - 46" OAL 6FJX - 6FJX	1
8	16657	Hose - 34" OAL 6FJX - 6FJX	1
9	11725	Adapter - 8MP - 6MJ45	2
10	11739	Adapter - 10MB - 6MJ	1
11	10161	Adapter - 10MB - 8MJ	4
12	10188	Adapter - 6MJBH - 6MJT	1
13	10200	Adapter - 8MB - 6MJ90	4
14	12162	Adapter - 6MJ - 6FJX90	1
15	10163	Adapter - 6MJ - 6MJT	2
16	11742	Flow Divider/Combiner	1



<b>17</b>	<b>10045</b>	<b>Hydraulic Beater Motors</b>	<b>2</b>
<b>18</b>		<b>Hydraulic Cylinders (See Page 12)</b>	
<b>19</b>	<b>10167 17379</b>	<b>Pioneer Male Tip</b>	<b>4</b>

## RIGHT HAND GEARBOX



# RIGHT HAND GEARBOX

## PARTS LIST

<u>Ref#</u>	<u>BMI#</u>	<u>Description</u>	<u>Qty.</u>
	10420	Right Hand Gearbox	1
1	10480	Flange Output Shaft	1
2	10481	Casting	1
3	10482	Output Gear	1
4	10483	Input Gear	1
5	10484	1 3/4" Internal Output Shaft	1
6	10485	1 3/4" Input Shaft	1
7	10486	Output Shaft Flange Shim	1
8	10487	Output Shaft Flange Shim	1
9	10488	Output Shaft Flange Shim	1
10	10489	Output Shaft Cover	1
11	10490	Bolt M8 x 25 x 1.25 cl. 8.8	6
12	10491	Washer 8.2 x 14.8 x 1.6	6
13	10492	Snap Ring	1
14	10493	Snap Ring 1.75 x 2.5	1
15	10494	Shims	1
16	10495	Grease Fitting M8 x 1.25	1
17	10496	Taper Roller Bearing	2
18	10497	Taper Roller Bearing	2
19	10498	Oil Seal 60 x 100 x 10	1
20	10499	Oil Seal 45 x 75 x 10	1
21	10500	Oil Seal 60 x 85 x 10	1
22	10501	Drain Plug	2
23	10502	Breather Plug	1